

NOTICE: RESTRICTED AS TO USE AND DISCLOSURE

THIS ENTIRE DOCUMENT AND ALL INFORMATION IS PROPRIETARY TO COLT INC. AND SHALL NOT BE REPRODUCED, DUPLICATED OR COPIED IN WHOLE OR IN PART, DISCLOSED OR MADE AVAILABLE TO ANY OTHER PERSON, FIRM, OR CORPORATION OR OTHERWISE USED EXCEPT TO THE EXTENT NECESSARY FOR AND THEN ONLY IN CONNECTION WITH THE PREPARATION CONNECTION WITH THE PREPARATION AND/OR SUBMISSION OF BIDS OR PROPOSALS RELATED TO A PROCUREMENT BEING EFFECTED BY THE UNITED STATES EITHER BY THE UNITED STATES GOVERNMENT OR UNDER CONTRACT WITH THE UNITED STATES GOVERNMENT. THIS DOCUMENT WILL BE DISPOSED OF IN ACCORDANCE WITH THE INSTRUCTIONS ISSUED BY THE RESPONSIBLE CONTRACTING OFFICER UPON COMPLETION OF THE PURPOSE FOR WHICH IT WAS ISSUED.

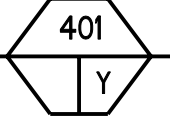

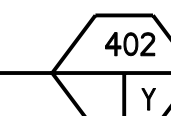
SPECIAL LICENSE RIGHTS THE GOVERNMENT'S RIGHTS TO USE, MODIFY, REPRODUCE, RELEASE, PERFORM, DISPLAY, OR DISCLOSE THESE DATA ARE RESTRICTED BY CONTRACT NO. DAAF03-67-C-108, LICENSE NO. DAAF03-67-C-108. ANY REPRODUCTION OF TECHNICAL DATA OR PORTIONS THEREOF MARKED WITH THIS LEGEND MUST ALSO REPRODUCE THE MARKINGS.

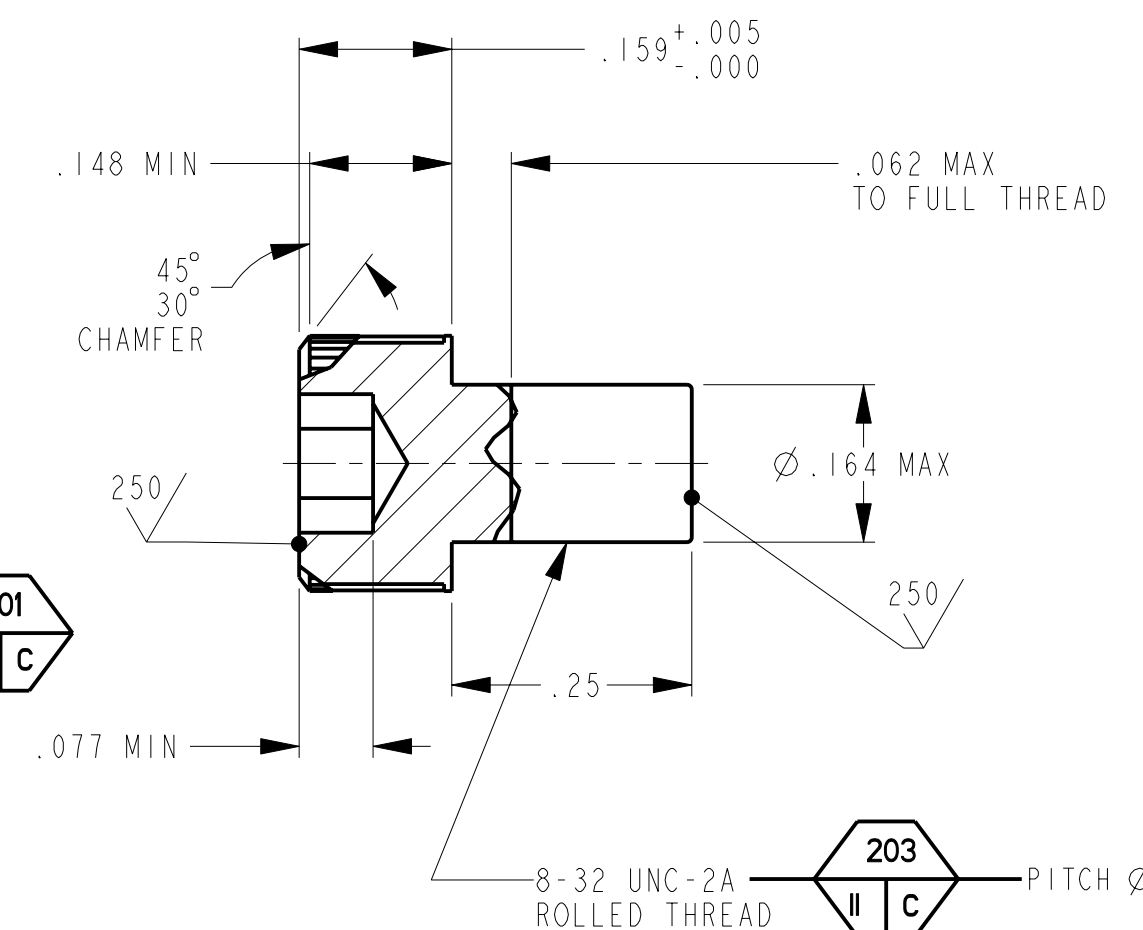
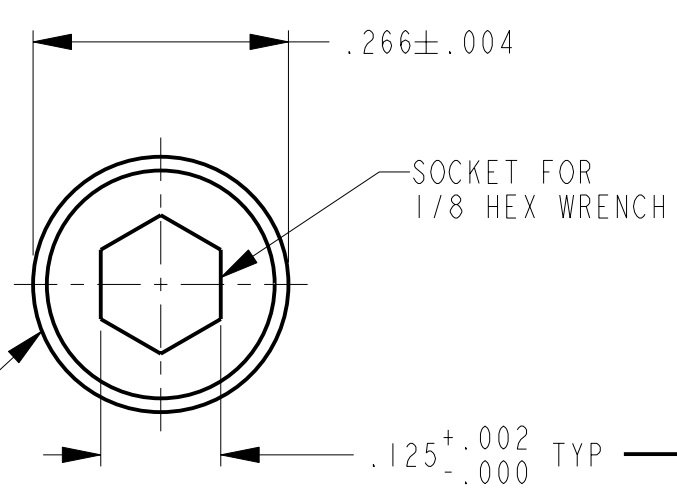
DUE TO GOVERNMENT GENERATED ENGINEERING CHANGES, THERE MAY BE DATA AND/OR TOLERANCES NOT PROPRIETARY TO COLT'S.

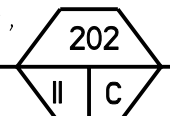
REVISIONS

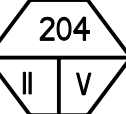
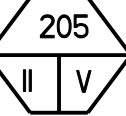

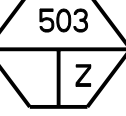

MODEL REV	DRAW REV	DESCRIPTION	DATE(YEAR-MO-DA)	APPROVED
N/A	C	NOR GIS2018 / 1991-07-08	1991-10-11	
N/A	D	NOR G2S3059 / 1992-07-16 (ECP G2S3060 / 1992-06-30)	1992-08-11	AJL
-	E	NOR LIS3067 / 2002-05-26	2002-05-23	JJW
A	F	NOR L3S3161 / 2004-03-31	2004-08-13	RLV
B	G	NOR L07S3087 / 2007-09-24	2007-10-04	BMG

NOTES

- MIL-W-13855 APPLIES.
- MATERIAL: STEEL, AISI 4037 PER ASTM A 322.  MATERIAL
- SURFACE FINISH: 125/ EXCEPT AS NOTED.
- HEAT TREATMENT: QUENCH AND TEMPER. HARDNESS: ROCKWELL 15N 78.5 TO 83.  HARDNESS
- BREAK EDGES .005⁺.005_{-.000} EXCEPT AS NOTED.
- PROTECTIVE FINISH: FINISH 5.3.1.2 OF MIL-STD-171.  PROTECTIVE FINISH
- QUALITY ASSURANCE PROVISION REQUIREMENTS PER DRAWING NUMBER 12993884 APPLY.



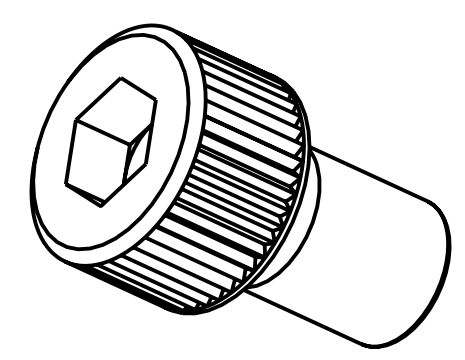
52 PITCH STRAIGHT KNURL PARALLEL WITH LONGITUDINAL AXIS ON THIS DIAMETER. KNURL MUST BE SHARP, WELL DEFINED, AND TO A DEPTH OF .0137⁺.0000_{-.0010}.  KNURL DEPTH

-  MISSING OR DEFECTIVE PROTECTIVE FINISH
-  WORKMANSHIP
-  SALT SPRAY TEST
-  COATING WEIGHT
-  SUPPLEMENTARY OIL TREATMENT, SALT SPRAY TEST

THIS DRAWING WAS GENERATED FROM A SOLID MODEL AND IS CAD MAINTAINED. CHANGES SHALL BE INCORPORATED BY THE DESIGN ACTIVITY.

CURRENT DESIGN ACTIVITY CAGE CODE 19200
US ARMY
ARMAMENT RESEARCH, DEVELOPMENT AND ENGINEERING CENTER
PICATINNY ARSENAL, NEW JERSEY 07806-5000

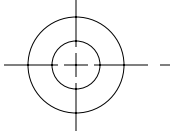
PART NO. 8448508



ISOMETRIC VIEW

DISTRIBUTION STATEMENT F. FURTHER DISTRIBUTION ONLY AS DIRECTED BY US ARMY ARDEC, AMSTA-AR-CCL-F, ROCK ISLAND, IL; 1993-09-14.

PMIC	MECHANICAL PROPERTIES	APPLICATION
	M231	
	M4A1	
	M4	
	M16A4	
YP		
TS		
EL2		
RA		
BH		
RH		
	8448505	
	NEXT ASSY	USED ON

DO NOT SCALE DRAWING
UNLESS OTHERWISE SPECIFIED DIMENSIONS ARE IN INCHES
TOLERANCE ON ANGLES ± 2°
2 PLACE DECIMALS ± .01
3 PLACE DECIMALS ± .005
THIRD ANGLE PROJECTION

MATL ENGR
MODELED BY
G. STRAHL

CONTRACT NUMBER	
CONTRACTOR	
DRAWN BY G. STRAHL	DATE(YEAR-MO-DA) 1970-04-27
CHECKER J. WINDHAM	ENGINEER J. WINDHAM
ENGINEER L. KO	QUALITY ENGINEER L. CICHUCKI
DRAWING APPROVAL L. BRUNTON 2002-03-21	
DESIGN APPROVAL R. ELBE 2002-03-21	

DESIGN ACTIVITY		
US ARMY ROCK ISLAND ARSENAL ROCK ISLAND, ILLINOIS		
SCREW, CAP, HEX SOCKET HEAD		
SIZE C	CAGE CODE 19204	DWG NO. 8448508
SCALE 5.000	UNIT WT. 0.00373	SHEET 1 OF 1