

4 3 2 1

NOTICE: RESTRICTED AS TO USE AND DISCLOSURE

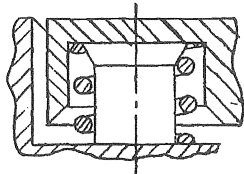
THIS ENTIRE DOCUMENT AND ALL INFORMATION THEREON IS PROPRIETARY TO COLT'S INC AND SHALL NOT BE REPRODUCED, DUPLICATED OR COPIED IN WHOLE OR IN PART, DISCLOSED OR MADE AVAILABLE TO ANY OTHER PERSON, FIRM, OR CORPORATION OR OTHERWISE USED EXCEPT TO THE EXTENT NECESSARY FOR AND THEN ONLY IN CONNECTION WITH THE PREPARATION AND/OR SUBMISSION OF BIDS OR PROPOSALS RELATED TO A PROCUREMENT BEING EFFECTED BY THE UNITED STATES GOVERNMENT OR IN CONNECTION WITH THE MANUFACTURE IN THE UNITED STATES EITHER BY THE UNITED STATES GOVERNMENT OR UNDER A CONTRACT WITH THE UNITED STATES GOVERNMENT. THIS DOCUMENT WILL BE DISPOSED OF IN ACCORDANCE WITH INSTRUCTIONS ISSUED BY THE RESPONSIBLE CONTRACTING OFFICER UPON COMPLETION OF THE PURPOSE FOR WHICH IT WAS ISSUED.

REVISIONS					
MF	ZONE	LTR	DESCRIPTION	DATE	APPROVED
M		D	REPLACES REV C W/CHANGE SEE ERR NOR 26778	6 OCT 72	RC
		E	NORW2S0020 82-06-09	83-02-03	LAH PLD
		F	NOR W2S 0026 / 82-05-21	83-09-22	RR SL
		G	NOR GIS2018 81-07-08	91-10-11	RR SL
		H	NOR G2S3059 / 920716 (ECPG2S3060 / 920630)	92-08-11	AJL SL GM

NOTES:

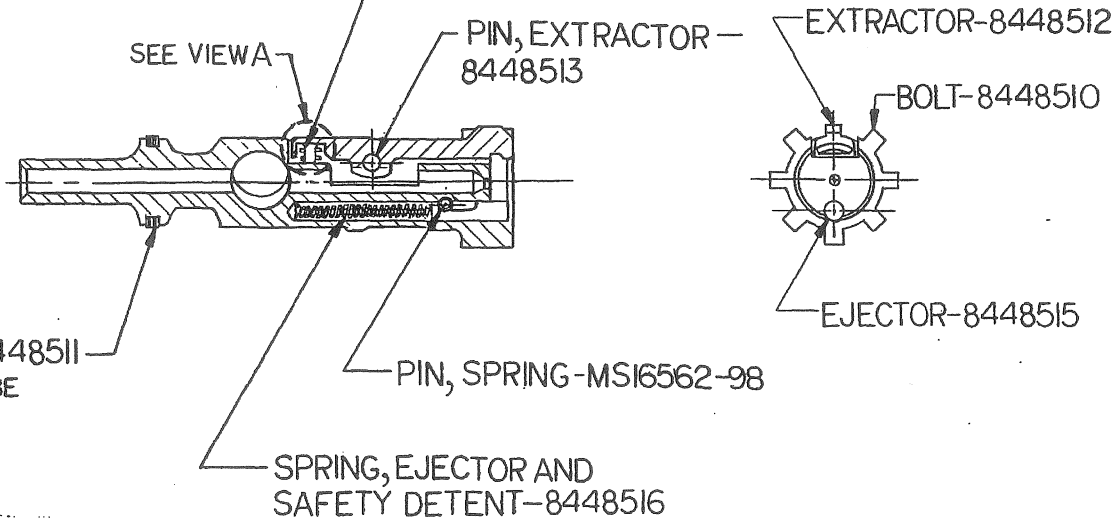
I. MIL-W-13855 APPLIES.

SPRING ASSY, EXTRACTOR-8448755
FLARED END OF SPRING MUST BE BOTTOMED
IN EXTRACTOR AS SHOWN IN VIEW A.



VIEW A
SCALE 10/1

3-RING, BOLT-8448511
RING GAPS MUST BE
STAGGERED



DISTRIBUTION STATEMENT E: FURTHER DISTRIBUTION ONLY AS DIRECTED BY ASQC-AR OR HIGHER DOD AUTHORITY; 92-06-22

SEE PL-8448509

CURRENT DESIGN ACTIVITY FSCM No. 19200
U.S. ARMY ARMAMENT RESEARCH AND DEVELOPMENT CENTER
DOVER, NEW JERSEY 07801

PART NO. 8448509

MECHANICAL PROPERTIES		UNLESS OTHERWISE SPECIFIED DIMENSIONS ARE IN INCHES		CONTRACT NO:		DEPT OF THE ARMY U.S. ARMY WEAPONS COMMAND ROCK ISLAND, ILLINOIS, 61201	
YS MIN		TOLERANCES:		DATE 27 APR 1970		BOLT ASSEMBLY	
YS MAX		ANGLES ±		PREPARED: R. Dutton, D. Vernon			
EL 2		3 PLACE DECIMALS ±		CHECKED: D. Dutton, D. Vernon		C 19204 8448509	
RA	8448501 M4	2 PLACE DECIMALS ±		ENGINEER: R. E. Bell, J. P. Gorman			
BH	M16	MATERIAL		SUBMITTED: V. D. Cole		SIZE CODE IDENT NO. DRAWING NO.	
RH	D8448501 M16 A1	FINAL PROTECTIVE FINISH		APPROVED: R. S. Henry		C 19204 8448509	
APPLICATION		NEXT ASSY USED ON		SCALE 2/1		SHEET OF	

EDITION OF 29 JUL 69 MAY BE USED.

October 18, 2004 7:14 AM

C 8448509
B

A