

NOTICE: RESTRICTED AS TO USE AND DISCLOSURE

THIS ENTIRE DOCUMENT AND ALL INFORMATION IS PROPRIETARY TO COLT INC. AND SHALL NOT BE REPRODUCED, DUPLICATED OR COPIED IN WHOLE OR IN PART, DISCLOSED OR MADE AVAILABLE TO ANY OTHER PERSON, FIRM, OR CORPORATION OR OTHERWISE USED EXCEPT TO THE EXTENT NECESSARY FOR AND THEN ONLY IN CONNECTION WITH THE PREPARATION CONNECTION WITH THE PREPARATION AND/OR SUBMISSION OF BIDS OR PROPOSALS RELATED TO A PROCUREMENT BEING EFFECTED BY THE UNITED STATES EITHER BY THE UNITED STATES GOVERNMENT OR UNDER CONTRACT WITH THE UNITED STATES GOVERNMENT. THIS DOCUMENT WILL BE DISPOSED OF IN ACCORDANCE WITH THE INSTRUCTIONS ISSUED BY THE RESPONSIBLE CONTRACTING OFFICER UPON COMPLETION OF THE PURPOSE FOR WHICH IT WAS ISSUED.

SPECIAL LICENSE RIGHTS
THE GOVERNMENT'S RIGHTS TO USE, MODIFY, REPRODUCE, RELEASE, PERFORM, DISPLAY, OR DISCLOSE THESE DATA ARE RESTRICTED BY CONTRACT NO. DAAF03-67-C-108, LICENSE NO. DAAF03-67-C-108. ANY REPRODUCTION OF TECHNICAL DATA OR PORTIONS THEREOF MARKED WITH THIS LEGEND MUST ALSO REPRODUCE THE MARKINGS.

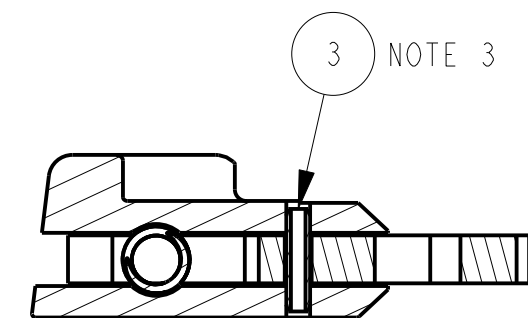
DUE TO GOVERNMENT GENERATED ENGINEERING CHANGES, THERE MAY BE DATA AND/OR TOLERANCES NOT PROPRIETARY TO COLT'S.

REVISIONS

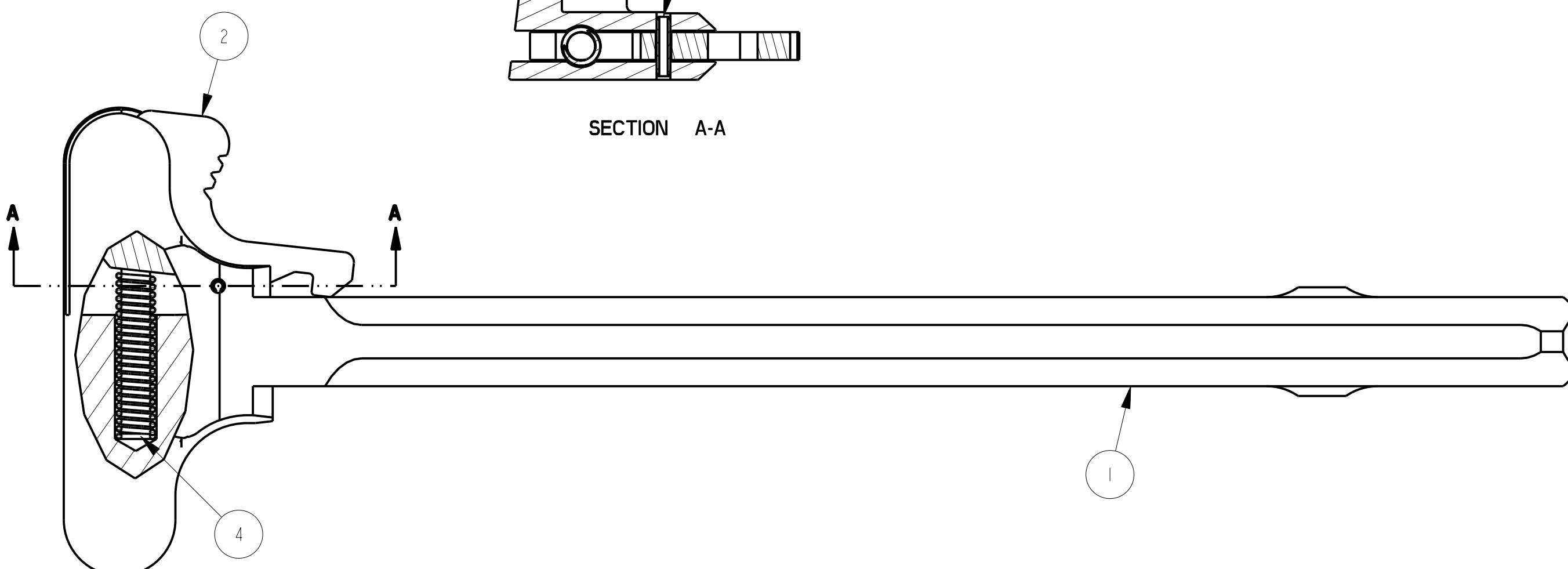
MODEL REV	DRAW REV	DESCRIPTION	DATE(YEAR-MO-DA)	APPROVED
N/A	D	NOR W4S3048 / 1984-10-09	1985-02-14	
N/A	E	NOR GIS2018 / 1991-07-08	1991-10-11	RR
-	F	NOR L2S3028 / 2002-05-24	2002-07-30	JJW
A	G	NOR L10S3087 / 2010-07-29	2010-08-03	BMG

NOTES

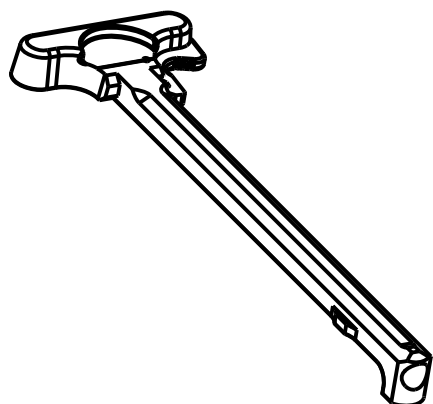
- MIL-W-13855 APPLIES.
- QUALITY ASSURANCE PROVISION REQUIREMENTS PER DRAWING NUMBER 12993884 APPLY.
- INSERT PIN SO THAT ENDS ARE FLUSH OR BELOW SURFACE ON BOTH SIDES AS SHOWN.



SECTION A-A



101 III V	NO PARTS MISSING OR IMPROPERLY ASSEMBLED
102 III V	FREE MOVEMENT OF LATCH AND SPRING
103 III V	SECURENESS OF SPRING PIN
201 II V	WORKMANSHIP

ISOMETRIC VIEW
SCALE 0.500

ITEM OR FIND NO.	QTY. REQ.	CAGE CODE	PART NO. OR IDENTIFYING NO.	NOMENCLATURE OR DESCRIPTION	REMARKS
4	1	19204	8448520	SPRING, CHARGING HANDLE LATCH	
3	1	19204	8448521-2	PIN, SPRING	
2	1	19204	8448519	LATCH, CHARGING HANDLE	
1	1	19204	8448518	HANDLE, CHARGING	

CURRENT DESIGN ACTIVITY CAGE CODE 19200
US ARMY
ARMAMENT RESEARCH, DEVELOPMENT AND ENGINEERING CENTER
PICATINNY ARSENAL, NEW JERSEY 07806-5000

THIS DRAWING WAS GENERATED FROM A SOLID MODEL AND IS CAD MAINTAINED. CHANGES SHALL BE INCORPORATED BY THE DESIGN ACTIVITY.

PART NO. 8448517

DISTRIBUTION STATEMENT F: FURTHER DISTRIBUTION ONLY AS DIRECTED BY US ARMY ARDEC, AMSTA-AR-CCL-F, ROCK ISLAND, IL; 1993-09-14.

PMIC	9327227	M231	DO NOT SCALE DRAWING UNLESS OTHERWISE SPECIFIED DIMENSIONS ARE IN INCHES	CONTRACT NUMBER		DESIGN ACTIVITY US ARMY ROCK ISLAND ARSENAL ROCK ISLAND, ILLINOIS
	12972700	M4A1		CONTRACTOR		
	9390000	M4				
MECHANICAL PROPERTIES	12973001	M16A4	TOLERANCE ON ANGLES \pm ° 2 PLACE DECIMALS \pm 3 PLACE DECIMALS \pm	DRAWN BY D. COLLUM	DATE(YEAR-MO-DA) 1970-04-27	CHARGING HANDLE ASSEMBLY
YP	12012000	M16A3	THIRD ANGLE PROJECTION	CHECKER J. WINDHAM	ENGINEER J. WINDHAM	
TS	9349000	M16A2		ENGINEER L. KO	QUALITY ENGINEER E. SESE	
EL2	8448500	M16A1		DRAWING APPROVAL L. BRUNTON 2002-05-24		SIZE C
RA	8448600	M16		DESIGN APPROVAL R. ELBE 2002-05-24		CAGE CODE 19204
BH						DWG NO. 8448517
RH						SCALE 2.000
						UNIT WT. 0.0711
						SHEET 1 OF 1