

8

7

6

5

4

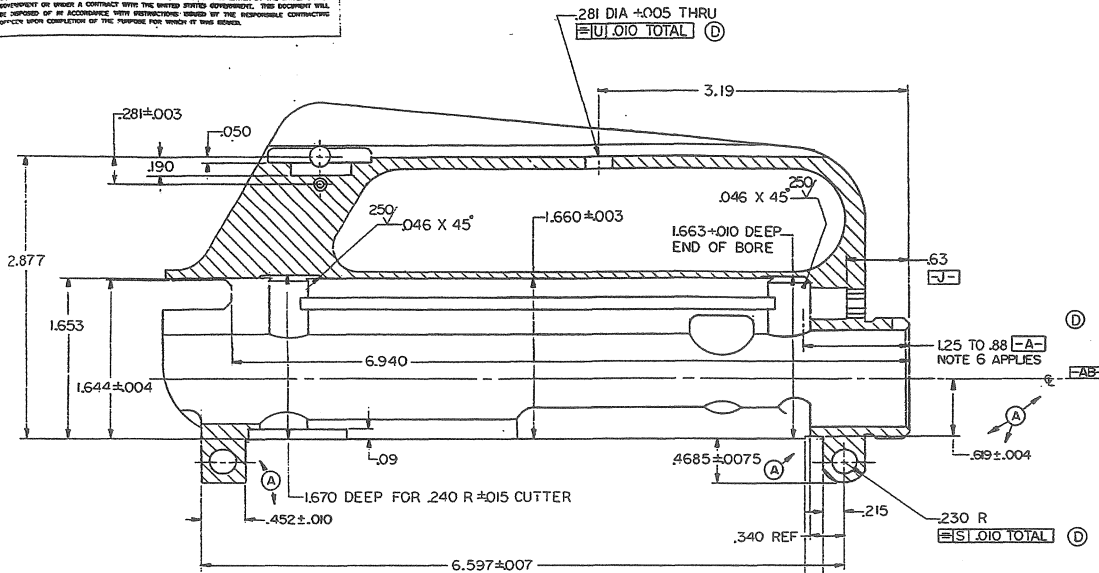
3

2

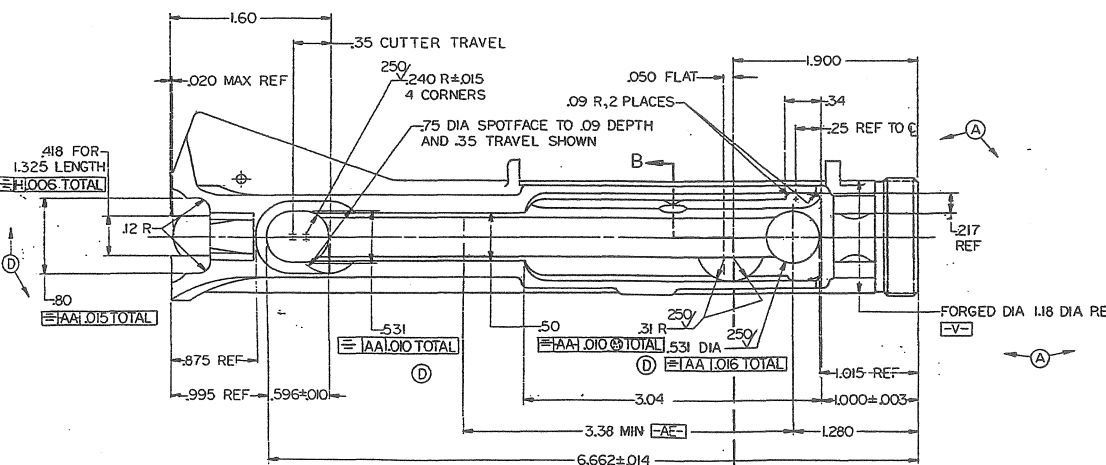
1

NOTICE: RESTRICTED AS TO USE AND DISCLOSURE

This drawing and all information thereon is proprietary to DAHSI and shall not be reproduced, published or copied in whole or in part, disclosed or made available to any other person, firm, or company or otherwise used except by the extent specifically provided herein and then only in connection with the performance of any contract entered into by the manufacturer in the United States Government or in connection with the manufacture in the United States Government or in connection with the manufacture in the United States Government. This document will be disposed of in accordance with instructions issued by the responsible contracting officer upon completion of the purpose for which it was issued.



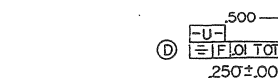
SECTION A-A (SH 1, ZONE A-8)



VIEW G-G (SH 1, ZONE A-G)

NOTE 4 APPLIES -AA-

FORGING WIDTH -F-

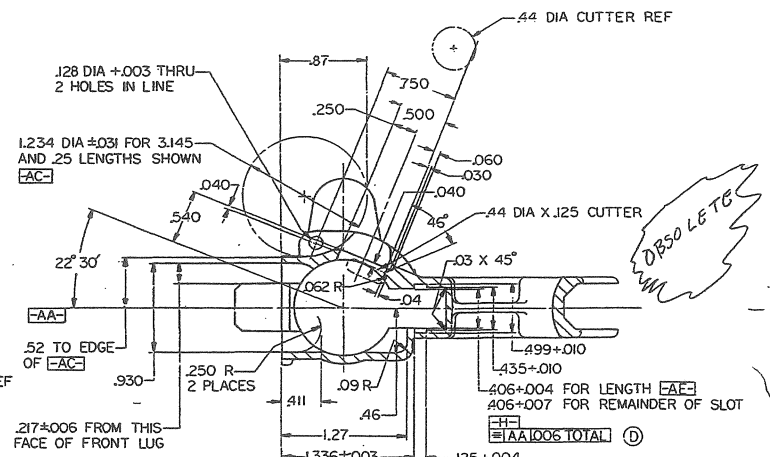
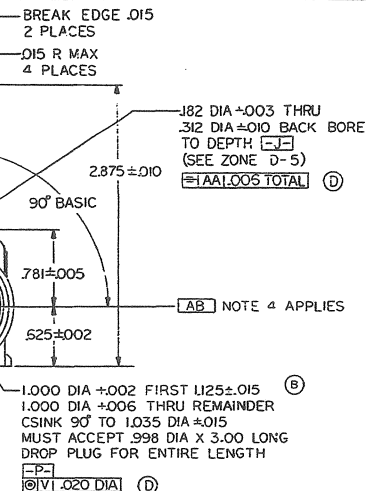


NOTE 4 APPLIES -AD-

.155±.010, 4 PLACES
.047 R, 4 PLACES
EQUALLY SPACED
RANDOM ORIENTATION
EXCEPT MUST NOT
INTERSECT THREADS

VIEW F-F (SH 1, ZONE B-2)

REV	ZONE	DATE	APPROVED
1	A	15 JUL 70	
2	B	11 SEPT 70	
3	C	20 FEB 71	
4	D	5 OCT 71	
5	E	27 FEB 75	
6	F	28 FEB 75	
7	G	28 FEB 75	



SECTION B-B

MECHANICAL PROPERTIES	TOLERANCES UNLESS OTHERWISE SPECIFIED ARE IN INCHES	CONTRACT NO.	DATE
TS	ANGLES 1/16		27 APR 1970
TE	3 PLACE DECIMALS ±.005		
TR	2 PLACE DECIMALS ±.01		
MA			
EL			
EA			
SH			
PH			

US ARMY ARMAMENT RESERVE AND DEVELOPMENT CENTER
DEPT OF THE ARMY
US ARMY WEAPONS COMMAND
ROCK ISLAND, ILLINOIS, 61201

RECEIVER, UPPER

SIZE CODE DDC NO. DRAWING NO.
F 19204 8448524

SCALE 2/1

SHEET 2 OF 2

October 15, 2004 11:00 AM

7

6

5

4

3

2

1

8448524