

NOTICE: RESTRICTED AS TO USE AND DISCLOSURE

THIS ENTIRE DOCUMENT AND ALL INFORMATION IS PROPRIETARY TO COLT INC. AND SHALL NOT BE REPRODUCED, DUPLICATED OR COPIED IN WHOLE OR IN PART, DISCLOSED OR MADE AVAILABLE TO ANY OTHER PERSON, FIRM, OR CORPORATION OR OTHERWISE USED EXCEPT TO THE EXTENT NECESSARY FOR AND THEN ONLY IN CONNECTION WITH THE PREPARATION CONNECTION WITH THE PREPARATION AND/OR SUBMISSION OF BIDS OR PROPOSALS RELATED TO A PROCUREMENT BEING EFFECTED BY THE UNITED STATES EITHER BY THE UNITED STATES GOVERNMENT OR UNDER CONTRACT WITH THE UNITED STATES GOVERNMENT. THIS DOCUMENT WILL BE DISPOSED OF IN ACCORDANCE WITH THE INSTRUCTIONS ISSUED BY THE RESPONSIBLE CONTRACTING OFFICER UPON COMPLETION OF THE PURPOSE FOR WHICH IT WAS ISSUED.

SPECIAL LICENSE RIGHTS  
 THE GOVERNMENT'S RIGHTS TO USE, MODIFY, REPRODUCE, RELEASE, PERFORM, DISPLAY, OR DISCLOSE THESE DATA ARE RESTRICTED BY CONTRACT NO. DAAFO3-67-C-108, LICENSE NO. DAAFO3-67-C-108. ANY REPRODUCTION OF TECHNICAL DATA OR PORTIONS THEREOF MARKED WITH THIS LEGEND MUST ALSO REPRODUCE THE MARKINGS.

DUE TO GOVERNMENT GENERATED ENGINEERING CHANGES, THERE MAY BE DATA AND/OR TOLERANCES NOT PROPRIETARY TO COLT'S.

REVISIONS				
MODEL REV	DRAWING REV	DESCRIPTION	DATE(YEAR-MO-DA)	APPROVED
N/A	A	REPLACES REV (-) W/CHANGE SEE ERR HOR 20248	1972-09-21	
N/A	B	NOR W9S2009 / 1980-02-13	1980-05-16	
N/A	C	NOR GIS2018 / 1991-07-08	1991-10-11	
N/A	D	NOR G2S3059 / 1992-07-16 (ECP G2S3060 / 1992-06-30)	1992-08-11	
N/A	E	NOR LIS2102 / 2001-08-23	2001-09-26	RLV
-	F	NOR LIS3048 / 2001-09-25	2002-05-22	JJW
A	G	NOR L3S3161 / 2004-03-31	2004-08-13	RLV

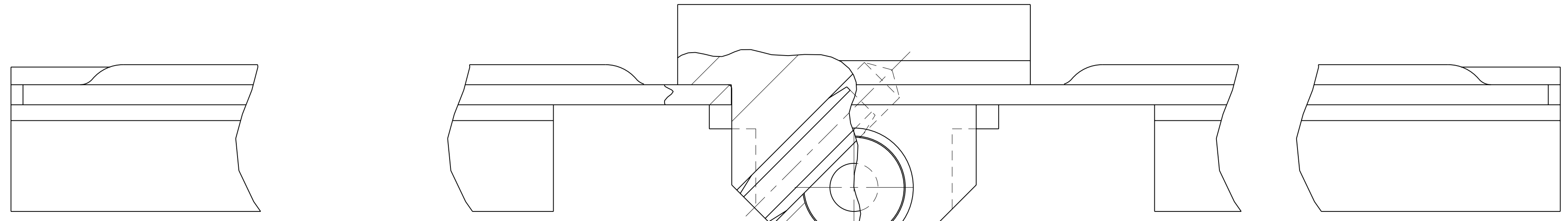
NOTES

- MIL-W-13855 APPLIES.
- THE LOAD NECESSARY TO DEPRESS THE LATCH, COVER, PART NUMBER 8448786, .060 INCHES FROM ITS ASSEMBLED POSITION SHALL BE 1.2±.3 LB.
 

102
- WHEN DEPRESSED, COVER LATCH SHALL TRAVEL FULL LENGTH INTO HOUSING AND RETURN FREELY. THERE SHALL BE NO RELATIVE MOVEMENT BETWEEN THE HOUSING AND COVER.
 

103
- QUALITY ASSURANCE PROVISION REQUIREMENTS PER DRAWING 12993884 APPLY.

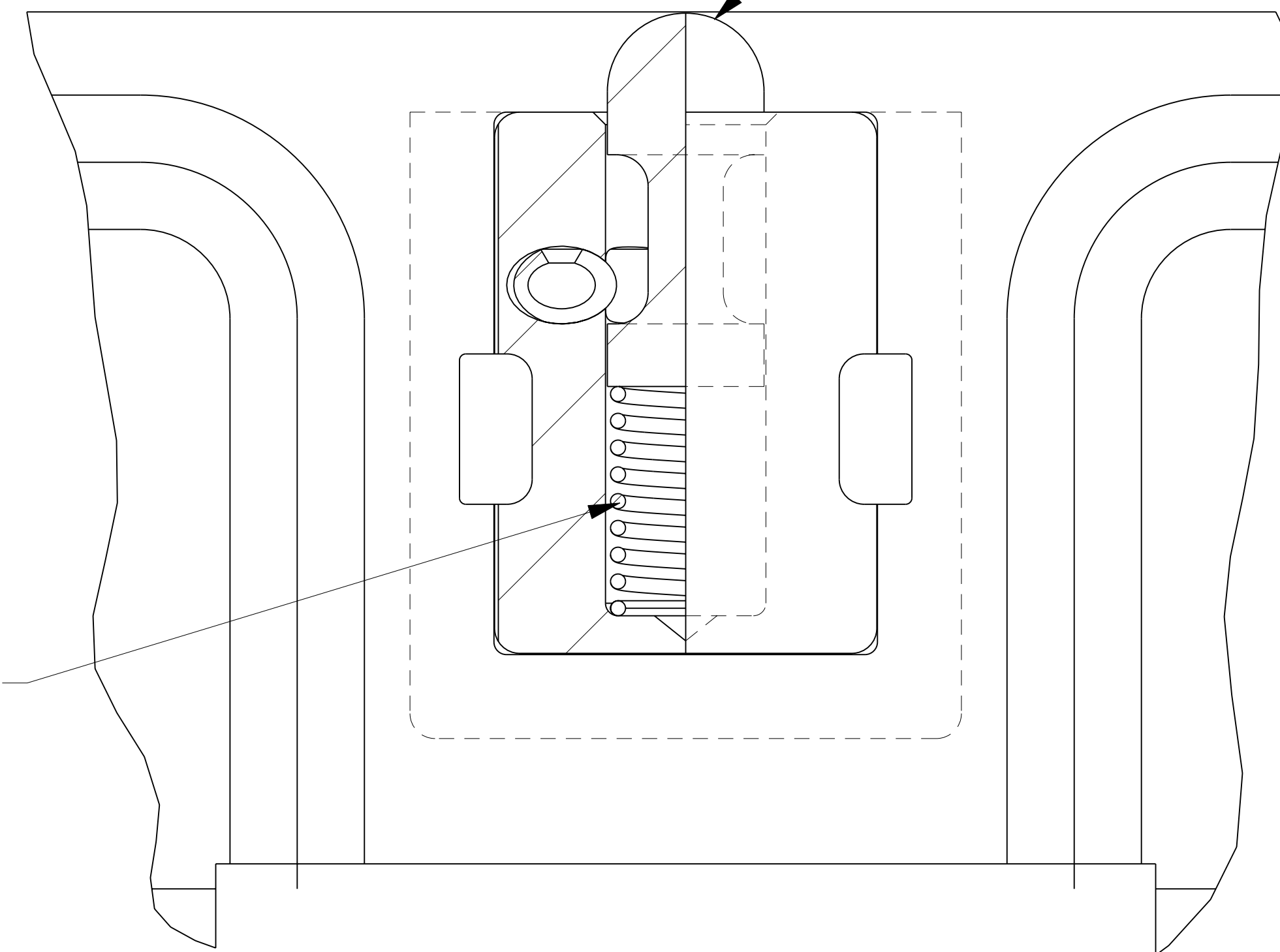
101 PARTS MISSING OR IMPROPERLY ASSEMBLED



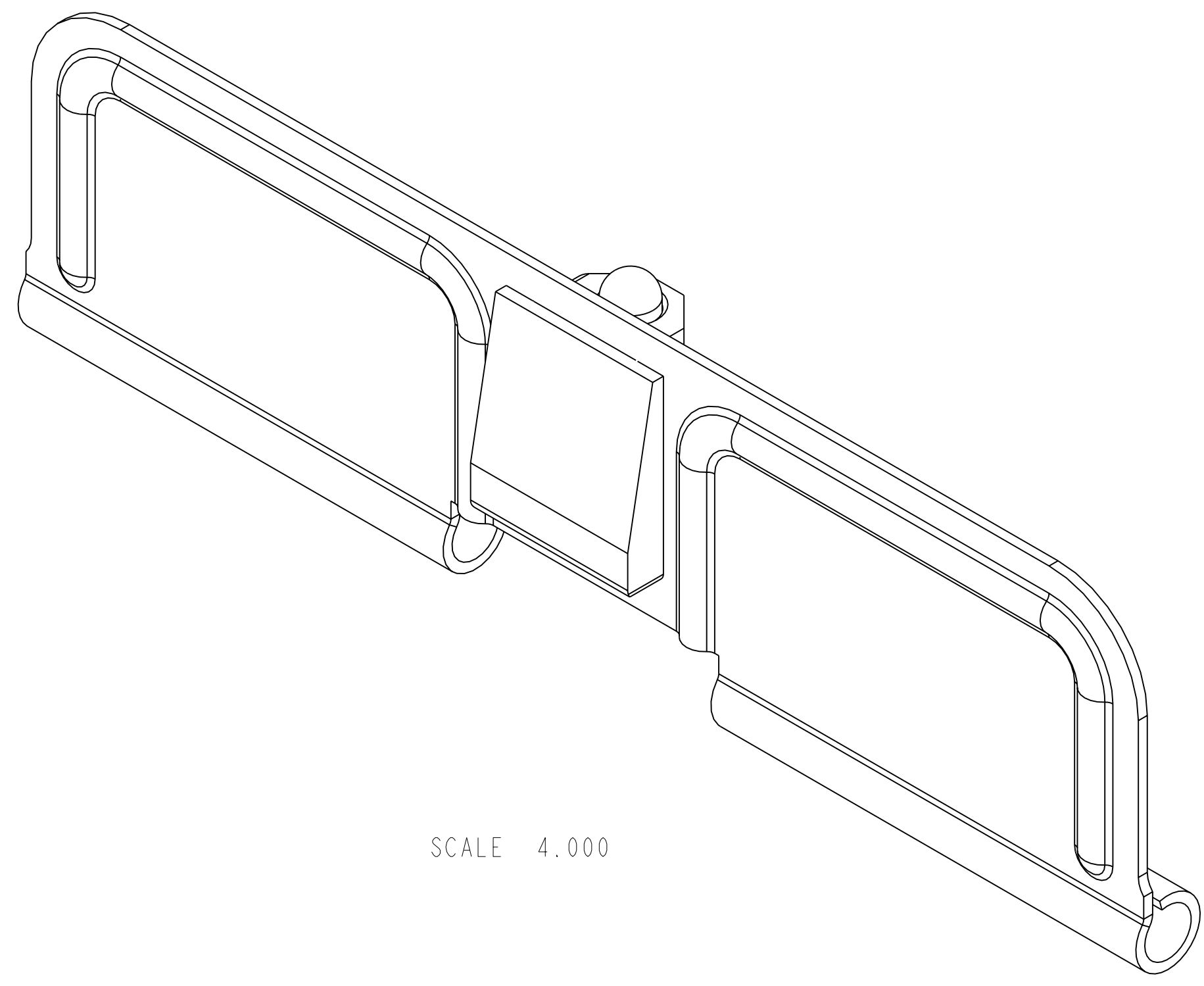
PIN, SPRING-MS16562-95 PER NASMI6562 (ASSEMBLE FLUSH OR BELOW SURFACE)

EJECTION PORT COVER AND LATCH HOUSING ASSY-8448783

LATCH, COVER-8448786



SPRING, COVER LATCH-8448787



SCALE 4.000

THIS DRAWING WAS GENERATED FROM A SOLID MODEL AND IS CAD MAINTAINED. CHANGES SHALL BE INCORPORATED BY THE DESIGN ACTIVITY.

CURRENT DESIGN ACTIVITY CAGE CODE 19200  
 US ARMY  
 ARMAMENT RESEARCH, DEVELOPMENT AND ENGINEERING CENTER  
 PICATINNY ARSENAL, NEW JERSEY 07806-5000

PART NO. 8448525

DISTRIBUTION STATEMENT F: FURTHER DISTRIBUTION ONLY AS DIRECTED BY US ARMY ARDEC; AMSTA-AR-CCL-F, ROCK ISLAND, IL; 1993-09-14.

PMIC	M231	DO NOT SCALE DRAWING UNLESS OTHERWISE SPECIFIED DIMENSIONS ARE IN INCHES	CONTRACT NUMBER		DESIGN ACTIVITY US ARMY ROCK ISLAND ARSENAL ROCK ISLAND, ILLINOIS
	M4A1		CONTRACTOR		
MECHANICAL PROPERTIES	M4	TOLERANCES ON ANGLES ± ° 2 PLACE DECIMALS ± 3 PLACE DECIMALS ±	DRAWN BY T. KULIG - ESERV	DATE(YEAR-MO-DA) 1970-04-27	EJECTION PORT COVER ASSY
	9350029 M16A4		CHECKER G. STRAHL	ENGINEER J. WINDHAM	
YP	D9327228 M16A3	THIRD ANGLE PROJECTION	ENGINEER L. KO	QUALITY ENGINEER L. CICHUCKI	SIZE D
TS	D8448602 M16A2		DRAWING APPROVAL L. BRUNTON 2001-09-25		CAGE CODE 19204
EL2	D8448523 M16A1		DESIGN APPROVAL R. ELBE 2001-09-25		DWG NO. 8448525
RA	NEXT ASSY	MATL ENGR	MODELED BY S. GALL - ESERV		SCALE 10/1
BH	USED ON				UNIT WT. 0.034
RH	APPLICATION				SHEET 1 OF 1