

NOTICE: RESTRICTED AS TO USE AND DISCLOSURE

THIS ENTIRE DOCUMENT AND ALL INFORMATION IS PROPRIETARY TO COLT INC. AND SHALL NOT BE REPRODUCED, DUPLICATED OR COPIED IN WHOLE OR IN PART, DISCLOSED OR MADE AVAILABLE TO ANY OTHER PERSON, FIRM, OR CORPORATION OR OTHERWISE USED EXCEPT TO THE EXTENT NECESSARY FOR AND THEN ONLY IN CONNECTION WITH THE PREPARATION CONNECTION WITH THE PREPARATION AND/OR SUBMISSION OF BIDS OR PROPOSALS RELATED TO A PROCUREMENT BEING EFFECTED BY THE UNITED STATES EITHER BY THE UNITED STATES GOVERNMENT OR UNDER CONTRACT WITH THE UNITED STATES GOVERNMENT. THIS DOCUMENT WILL BE DISPOSED OF IN ACCORDANCE WITH THE INSTRUCTIONS ISSUED BY THE RESPONSIBLE CONTRACTING OFFICER UPON COMPLETION OF THE PURPOSE FOR WHICH IT WAS ISSUED.

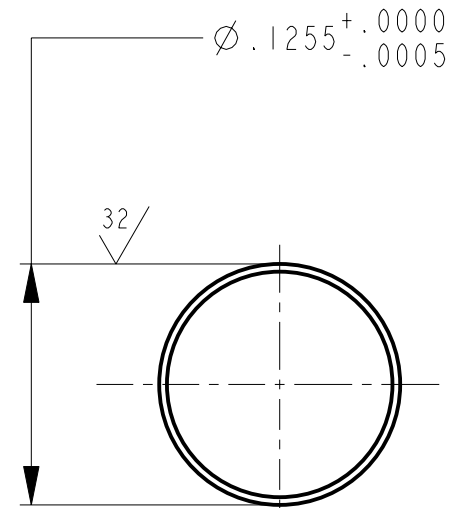
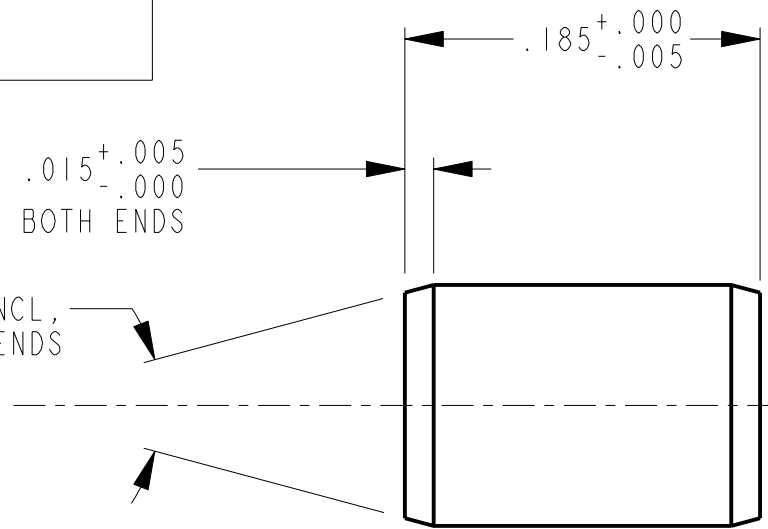
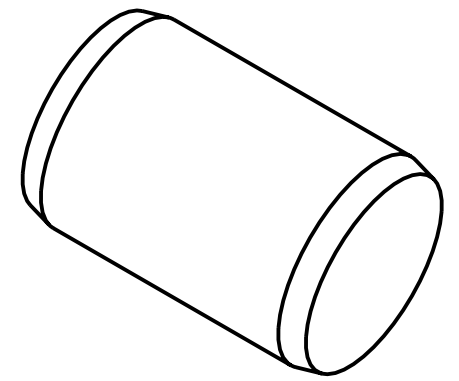
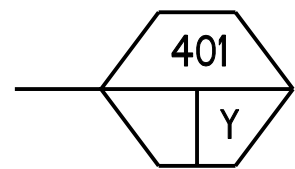
REVISIONS				
MODEL REV	DRAW REV	DESCRIPTION	DATE(YEAR-MO-DA)	APPROVED
N/A	D	NOR W3S3133 / 1983-08-25	1988-11-04	
N/A	E	NOR GIS2018 / 1991-07-08	1991-10-11	
-	F	NOR LIS3038 / 2001-08-27	2002-05-24	JJW
A	G	NOR L04S5155 / 2004-08-24	2004-11-08	RJC

**SPECIAL LICENSE RIGHTS**  
 THE GOVERNMENT'S RIGHTS TO USE, MODIFY, REPRODUCE, RELEASE, PERFORM, DISPLAY, OR DISCLOSE THESE DATA ARE RESTRICTED BY CONTRACT NO. DAAF03-67-C-108, LICENSE NO. DAAF03-67-C-108. ANY REPRODUCTION OF TECHNICAL DATA OR PORTIONS THEREOF MARKED WITH THIS LEGEND MUST ALSO REPRODUCE THE MARKINGS.

DUE TO GOVERNMENT GENERATED ENGINEERING CHANGES, THERE MAY BE DATA AND/OR TOLERANCES NOT PROPRIETARY TO COLT'S.

NOTES

- APPLICABLE STANDARDS/SPECIFICATIONS:  
A. MIL-W-13855
- MATERIAL: STEEL, AISI 1137, 1141, OR 1144 PER ASTM A 108.
- HEAT TREATMENT: QUENCH AND TEMPER TO HARDNESS SPECIFIED.
- SURFACE FINISH 125 EXCEPT AS NOTED.
- BREAK SHARP EDGES .010 MAX.
- QUALITY ASSURANCE PROVISION REQUIREMENTS PER DRAWING 12993884 APPLY.



CURRENT DESIGN ACTIVITY CAGE CODE 19200  
 US ARMY  
 ARMAMENT RESEARCH, DEVELOPMENT AND ENGINEERING CENTER  
 PICATINNY ARSENAL, NEW JERSEY 07806-5000

THIS DRAWING WAS GENERATED FROM A SOLID MODEL AND IS CAD MAINTAINED. CHANGES SHALL BE INCORPORATED BY THE DESIGN ACTIVITY.

**PART NO. 8448551**

DISTRIBUTION STATEMENT F: FURTHER DISTRIBUTION ONLY AS DIRECTED BY US ARMY; ARDEC AMSTA-AR-CCL-F, ROCK ISLAND, IL; 1993-09-14.

<b>PMIC</b>			<b>DO NOT SCALE DRAWING</b>		<b>CONTRACT NUMBER</b>		<b>DESIGN ACTIVITY</b>				
			UNLESS OTHERWISE SPECIFIED ALL DIMENSIONS ARE IN INCHES		<b>CONTRACTOR</b>		US ARMY ROCK ISLAND ARSENAL ROCK ISLAND, ILLINOIS				
<b>MECHANICAL PROPERTIES</b>			TOLERANCE ON ANGLES ± ° 2 PLACE DECIMALS ± 3 PLACE DECIMALS ±		<b>DRAWN BY</b> G. STRAHL		<b>DATE (YEAR-MO-DA)</b> 1970-04-27		PIN, BARREL INDEXING		
YP		M4A1	<b>THIRD ANGLE PROJECTION</b>		<b>CHECKER</b> S. GALL - ESERV		<b>ENGINEER</b> J. WINDHAM				
TS		M16A4			<b>ENGINEER</b> L. KO		<b>QUALITY ENGINEER</b> L. CICHUCKI		<b>SIZE</b>	<b>CAGE CODE</b>	<b>DWG NO.</b>
EL2		M16A3			<b>MATL ENGR</b>	<b>MODELED BY</b>	<b>DRAWING APPROVAL</b> L. BRUNTON 2001-08-22		<b>B</b>	19204	8448551
RA		M4			<b>DESIGN APPROVAL</b> R. ELBE 2001-08-22		<b>SCALE</b>	10/1	<b>UNIT WT</b>	<b>SHEET</b>	
BH		M231								1 OF 1	
RH	15N 78.5-80.5	M16A2									
		M16A1									
		<b>NEXT ASSY</b>									
		<b>USED ON</b>									
		<b>APPLICATION</b>									