

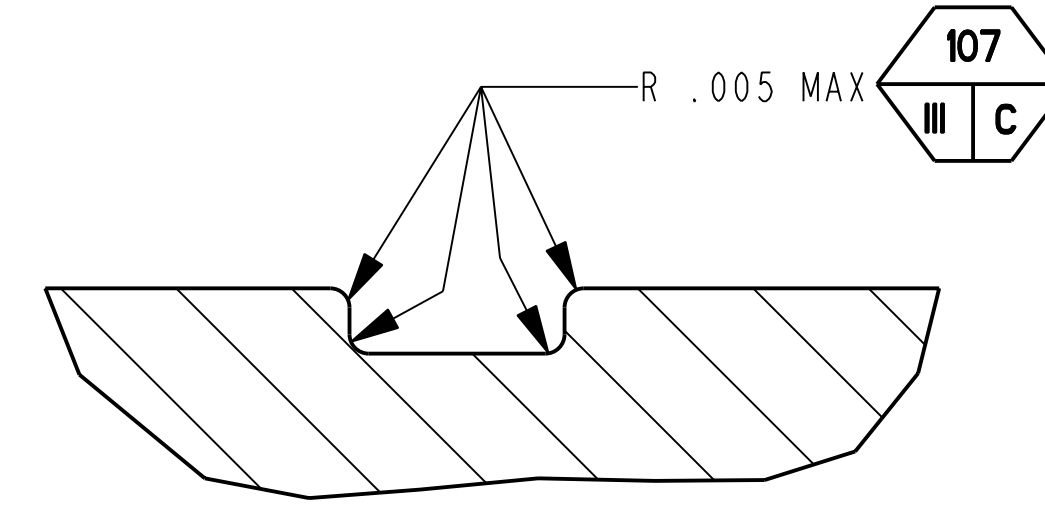
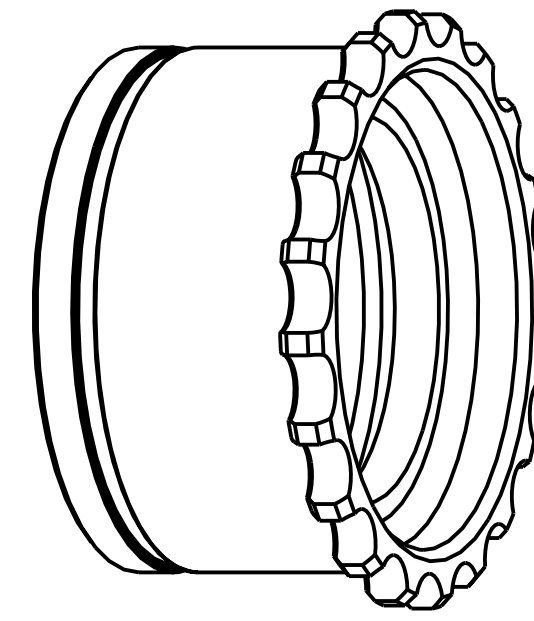
NOTICE: RESTRICTED AS TO USE AND DISCLOSURE

THIS ENTIRE DOCUMENT AND ALL INFORMATION IS PROPRIETARY TO COLT INC. AND SHALL NOT BE REPRODUCED, DUPLICATED OR COPIED IN WHOLE OR IN PART, DISCLOSED OR MADE AVAILABLE TO ANY OTHER PERSON, FIRM, OR CORPORATION OR OTHERWISE USED EXCEPT TO THE EXTENT NECESSARY FOR AND THEN ONLY IN CONNECTION WITH THE PREPARATION CONNECTION WITH THE PREPARATION AND/OR SUBMISSION OF BIDS OR PROPOSALS RELATED TO A PROCUREMENT BEING EFFECTED BY THE UNITED STATES EITHER BY THE UNITED STATES GOVERNMENT OR UNDER CONTRACT WITH THE UNITED STATES GOVERNMENT. THIS DOCUMENT WILL BE DISPOSED OF IN ACCORDANCE WITH THE INSTRUCTIONS ISSUED BY THE RESPONSIBLE CONTRACTING OFFICER UPON COMPLETION OF THE PURPOSE FOR WHICH IT WAS ISSUED.

SPECIAL LICENSE RIGHTS THE GOVERNMENT'S RIGHTS TO USE, MODIFY, REPRODUCE, RELEASE, PERFORM, DISPLAY, OR DISCLOSE THESE DATA ARE RESTRICTED BY CONTRACT NO. DAAFO3-67-C-108, LICENSE NO. DAAFO3-67-C-108. ANY REPRODUCTION OF TECHNICAL DATA OR PORTIONS THEREOF MARKED WITH THIS LEGEND MUST ALSO REPRODUCE THE MARKINGS.

DUE TO GOVERNMENT GENERATED ENGINEERING CHANGES, THERE MAY BE DATA AND/OR TOLERANCES NOT PROPRIETARY TO COLT'S.

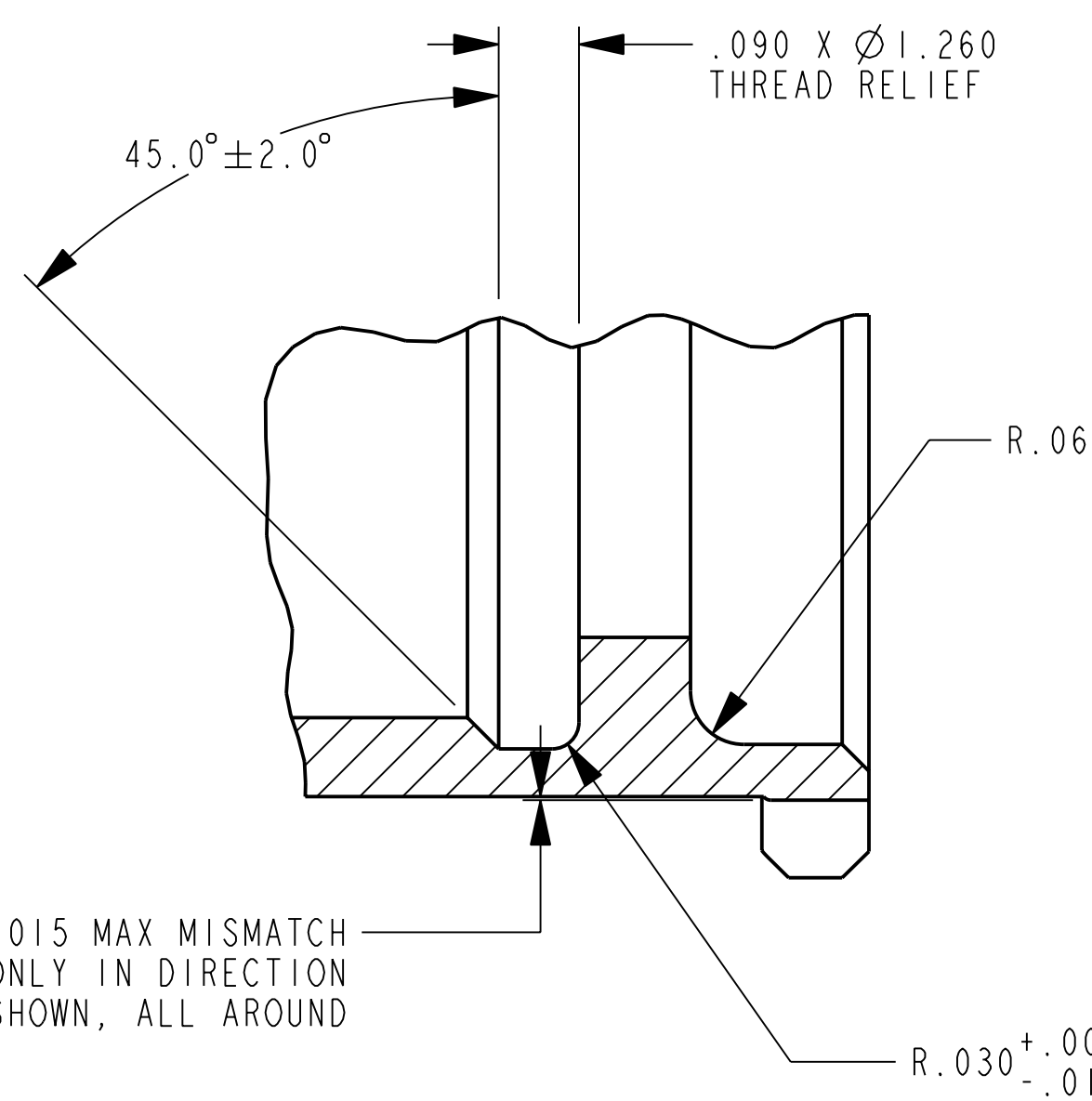
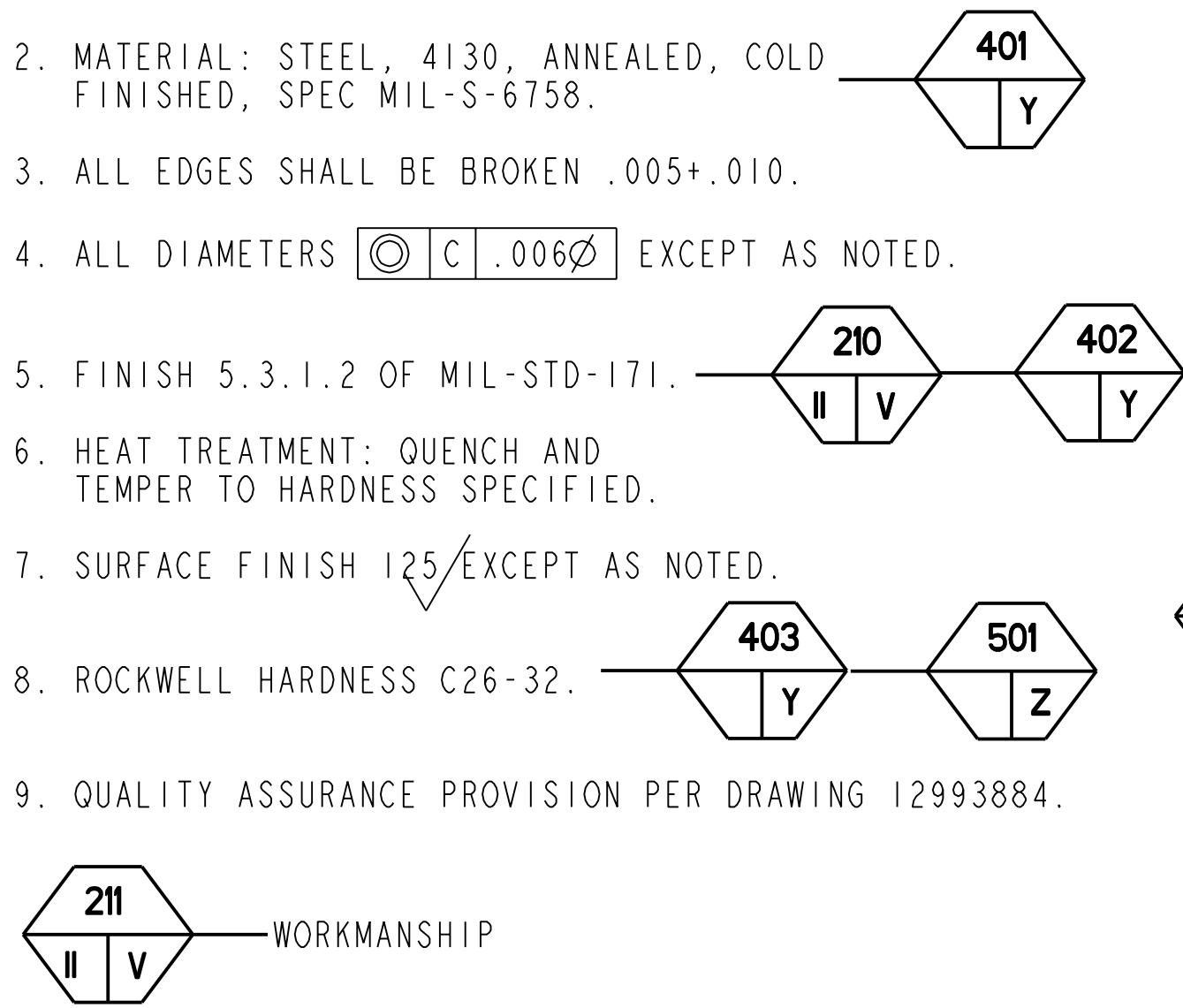
REVISIONS				
MODEL REV	DRAWING REV	DESCRIPTION	DATE(YEAR-MO-DA)	APPROVED
N/A	G	NOR GIS2018 / 1991-07-08	1990-10-11	
	H	NOR LIS2102 / 2001-08-23	2001-09-26	RLV
	J	NOR LIS3038 / 2001-08-27	2002-05-24	JJW



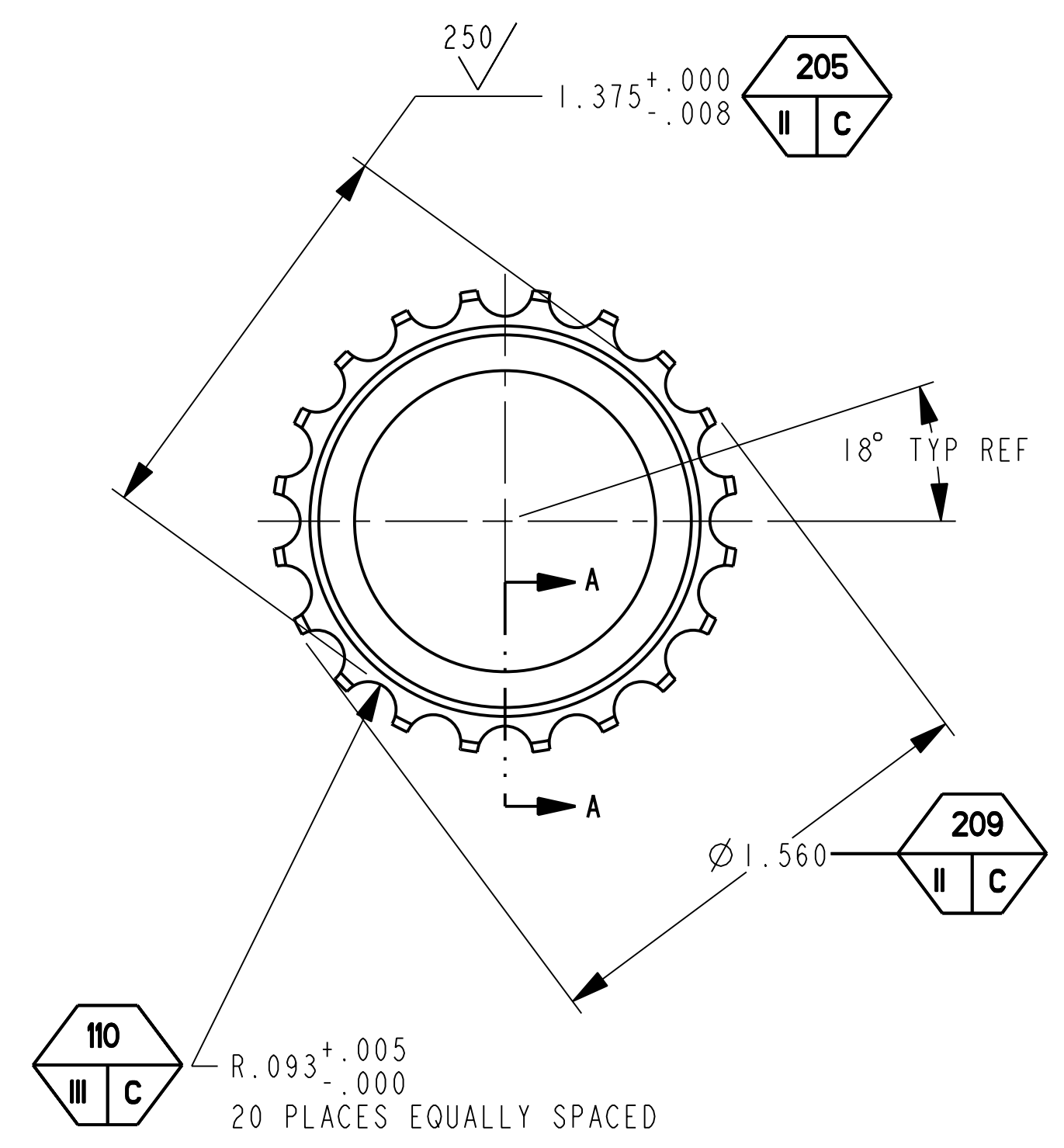
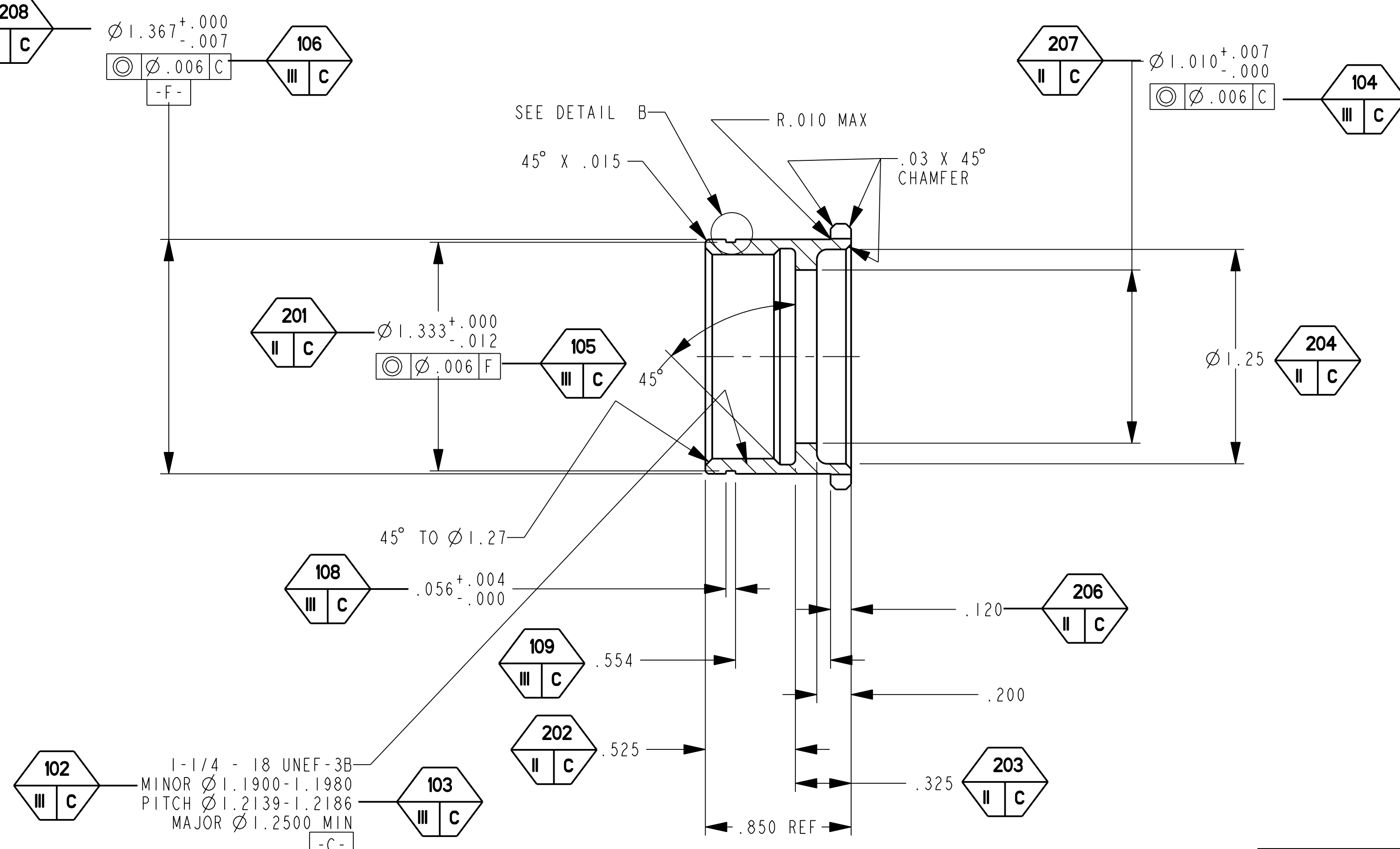
DETAIL B
SCALE 20.000

NOTES

1. APPLICABLE STANDARDS/SPECIFICATIONS: MIL-W-13855.
2. MATERIAL: STEEL, 4130, ANNEALED, COLD FINISHED, SPEC MIL-S-6758.
3. ALL EDGES SHALL BE BROKEN .005+.010.
4. ALL DIAMETERS $\text{C} \ .006 \phi$ EXCEPT AS NOTED.
5. FINISH 5.3.1.2 OF MIL-STD-171.
6. HEAT TREATMENT: QUENCH AND TEMPER TO HARDNESS SPECIFIED.
7. SURFACE FINISH 125 EXCEPT AS NOTED.
8. ROCKWELL HARDNESS C26-32.
9. QUALITY ASSURANCE PROVISION PER DRAWING 12993884.



SECTION A-A
SCALE 5.000



THIS DRAWING WAS GENERATED FROM A SOLID MODEL AND IS CAD MAINTAINED. CHANGES SHALL BE INCORPORATED BY THE DESIGN ACTIVITY.

PART NO. 8448553

CURRENT DESIGN ACTIVITY CAGE CODE 19200
US ARMY
ARMAMENT RESEARCH, DEVELOPMENT AND ENGINEERING CENTER
PICATINNY ARSENAL, NEW JERSEY 07806-5000

DISTRIBUTION STATEMENT F: FURTHER DISTRIBUTION ONLY AS DIRECTED BY US ARMY; ARDEC AMSTA-AR-CCL-F, ROCK ISLAND, IL; 1993-09-14.

PMIC	8448711	M4A1	DO NOT SCALE DRAWING UNLESS OTHERWISE SPECIFIED DIMENSIONS ARE IN INCHES	CONTRACT NUMBER		DESIGN ACTIVITY US ARMY ROCK ISLAND ARSENAL ROCK ISLAND, ILLINOIS
	9349127	M231		CONTRACTOR		
MECHANICAL PROPERTIES	9390007	M16A4	TOLERANCES ON ANGLES ± 2° 2 PLACE DECIMALS ± .01 3 PLACE DECIMALS ± .005	DRAWN BY	DATE(YEAR-MO-DA)	NUT, BARREL
	8448711	M16A3		G. STRAHL	1970-04-27	
YP	8448552	M16A2	THIRD ANGLE PROJECTION	CHECKER	ENGINEER	SIZE D
TS	8448552	M16A1		S. GALL - ESERV	J. WINDHAM	
EL2	8448552	M16	MATERIAL ENGR MODELED BY	ENGINEER	QUALITY ENGINEER	8448553
RA	8448552	M16		L. KO	L. CICHUCKI	
BH			APPLICATION	DRAWING APPROVAL		SHEET 1 OF 1
RH	C26-32			L. BRUNTON	2001-08-22	
				DESIGN APPROVAL		
				R. ELBE	2001-08-22	