

4

3

2

1

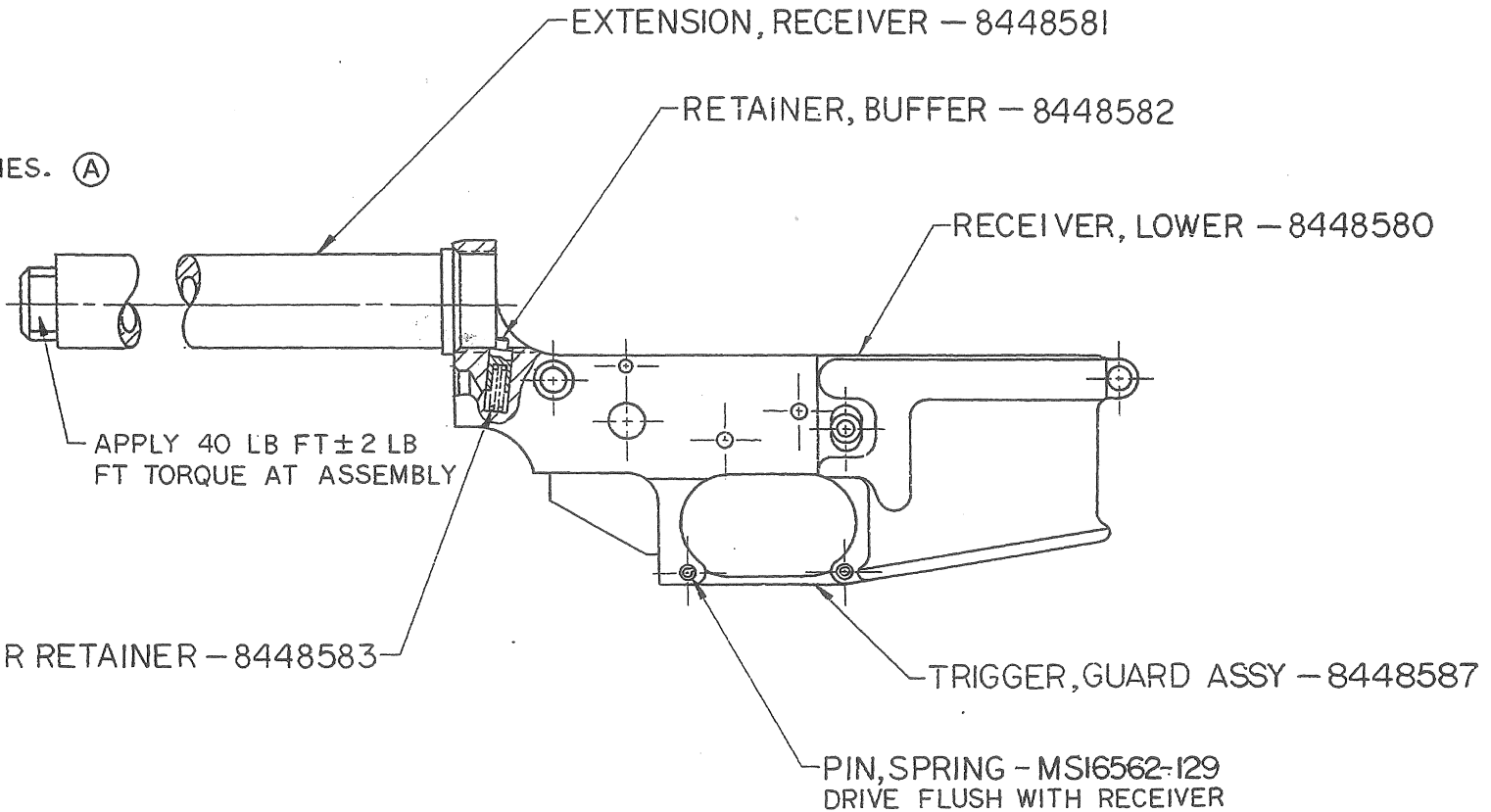
NOTICE: RESTRICTED AS TO USE AND DISCLOSURE

THIS ENTIRE DOCUMENT AND ALL INFORMATION THEREON IS PROPRIETARY TO COLT'S INC AND SHALL NOT BE REPRODUCED, DUPLICATED OR COPIED IN WHOLE OR IN PART, DISCLOSED OR MADE AVAILABLE TO ANY OTHER PERSON, FIRM, OR CORPORATION OR OTHERWISE USED EXCEPT TO THE EXTENT NECESSARY FOR AND THEN ONLY IN CONNECTION WITH THE PREPARATION AND/OR SUBMISSION OF BIDS OR PROPOSALS RELATED TO A PROCUREMENT BEING EFFECTED BY THE UNITED STATES GOVERNMENT OR IN CONNECTION WITH THE MANUFACTURE IN THE UNITED STATES EITHER BY THE UNITED STATES GOVERNMENT OR UNDER A CONTRACT WITH THE UNITED STATES GOVERNMENT. THIS DOCUMENT WILL BE DISPOSED OF IN ACCORDANCE WITH INSTRUCTIONS ISSUED BY THE RESPONSIBLE CONTRACTING OFFICER UPON COMPLETION OF THE PURPOSE FOR WHICH IT WAS ISSUED.

REVISIONS					
MF	ZONE	LTR	DESCRIPTION	DATE	APPROVED
			REDRAWN FROM COLT'S DRAWING C62273 REV A	27 APR 70	
		A	SEE ERR HQR 20778	6 OCT 72	R.E.
		B	NORW2S0020	82-06-09 83 02 03	LAH/BJ
		C	NOR W2S 0026	82-05-21 83 09 22	LAH/BJ

NOTES:

I. MIL-W-13855 APPLIES. (A)



SEE PL-8448579

CURRENT DESIGN ACTIVITY
FSCM No. 19200

U S ARMY ARMAMENT RESEARCH AND DEVELOPMENT CENTER
DOVER, NEW JERSEY 07801

MECHANICAL PROPERTIES		UNLESS OTHERWISE SPECIFIED DIMENSIONS ARE IN INCHES		CONTRACT NO:		DEPT OF THE ARMY U.S. ARMY WEAPONS COMMAND ROCK ISLAND, ILLINOIS, 61201	
YS MIN		TOLERANCES ±		DATE 27 APR 1970		LOWER RECEIVER AND RECEIVER EXTENSION ASSEMBLY	
YS MAX		ANGLES ±		PREPARED RAR R.A.			
EL 2		3 PLACE DECIMALS ±		CHECKED RAR R.A.		SIZE CODE IDENT NO. DRAWING NO.	
RA		2 PLACE DECIMALS ±		ENGINEER A. Smith B. C. Smith		C 19204 8448579	
BH		MATERIAL		SUBMITTED P.P. Yellowsky		SCALE 1/1	
RH	F8448578 M16A1	FINAL PROTECTIVE FINISH		APPROVED R.S. Henry		SHEET OF	
APPLICATION		NEXT ASSY USED ON				CDI	

C 8448579