

NOTICE: RESTRICTED AS TO USE AND DISCLOSURE

THIS ENTIRE DOCUMENT AND ALL INFORMATION IS PROPRIETARY TO COLT INC. AND SHALL NOT BE REPRODUCED, DUPLICATED OR COPIED IN WHOLE OR IN PART, DISCLOSED OR MADE AVAILABLE TO ANY OTHER PERSON, FIRM, OR CORPORATION OR OTHERWISE USED EXCEPT TO THE EXTENT NECESSARY FOR AND THEN ONLY IN CONNECTION WITH THE PREPARATION CONNECTION WITH THE PREPARATION AND/OR SUBMISSION OF BIDS OR PROPOSALS RELATED TO A PROCUREMENT BEING EFFECTED BY THE UNITED STATES EITHER BY THE UNITED STATES GOVERNMENT OR UNDER CONTRACT WITH THE UNITED STATES GOVERNMENT. THIS DOCUMENT WILL BE DISPOSED OF IN ACCORDANCE WITH THE INSTRUCTIONS ISSUED BY THE RESPONSIBLE CONTRACTING OFFICER UPON COMPLETION OF THE PURPOSE FOR WHICH IT WAS ISSUED.

SPECIAL LICENSE RIGHTS THE GOVERNMENT'S RIGHTS TO USE, MODIFY, REPRODUCE, RELEASE, PERFORM, DISPLAY, OR DISCLOSE THESE DATA ARE RESTRICTED BY CONTRACT NO. DAAF03-67-C-108, LICENSE NO. DAAF03-67-C-108. ANY REPRODUCTION OF TECHNICAL DATA OR PORTIONS THEREOF MARKED WITH THIS LEGEND MUST ALSO REPRODUCE THE MARKINGS.

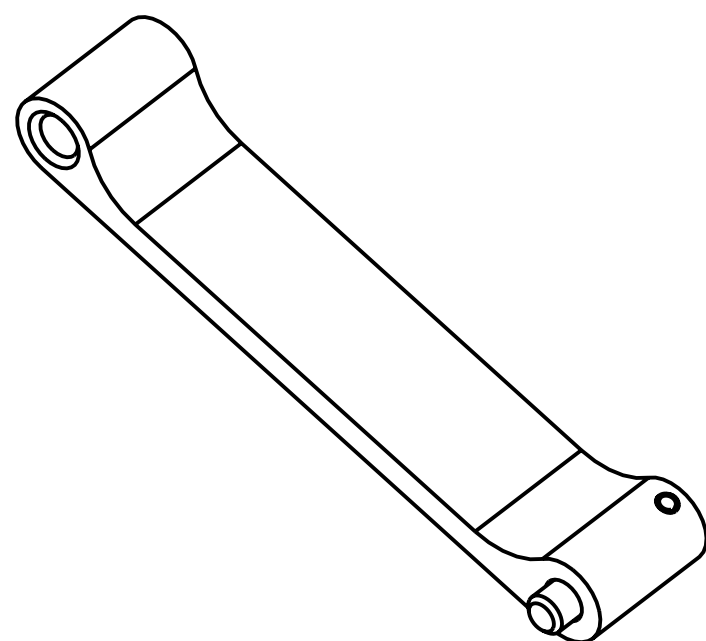
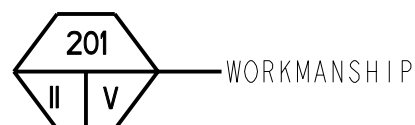
DUE TO GOVERNMENT GENERATED ENGINEERING CHANGES, THERE MAY BE DATA AND/OR TOLERANCES NOT PROPRIETARY TO COLT'S.

REVISIONS

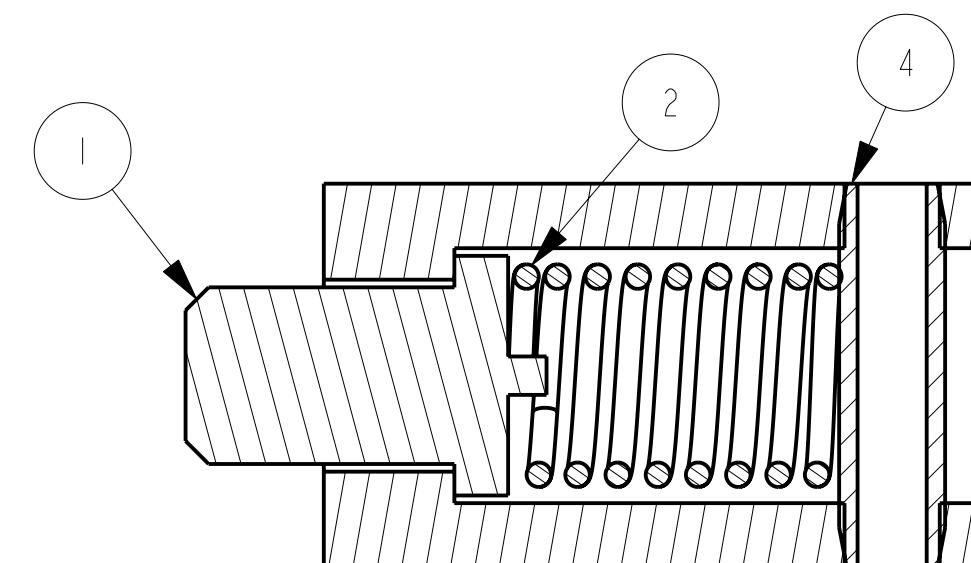
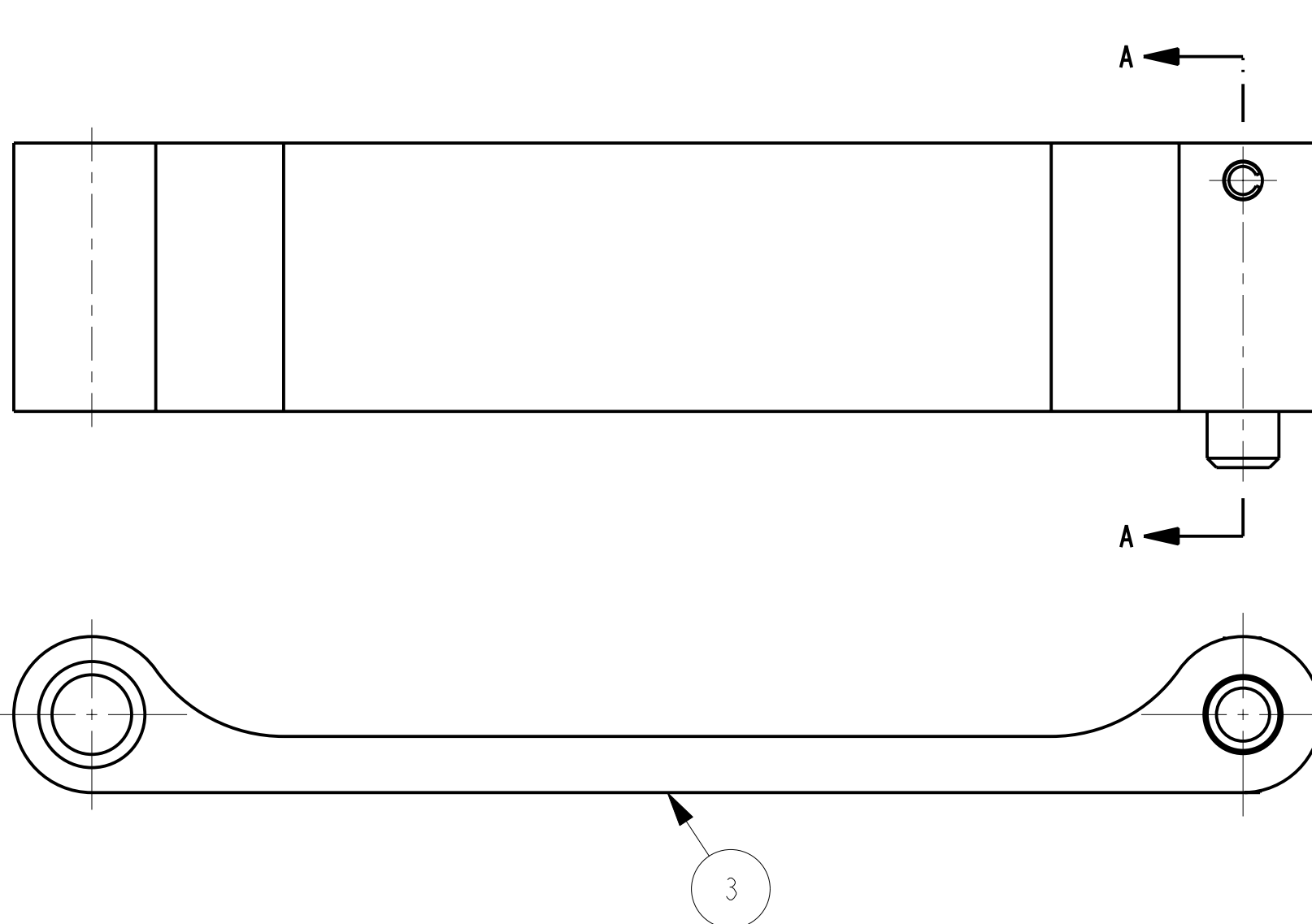
MODEL REV	DRAW REV	DESCRIPTION	DATE(YEAR-MO-DA)	APPROVED
N/A	B	NOR W9S2009 / 1980-02-13	1980-05-16	
N/A	C	NOR W2S0020 / 1982-06-09	1983-06-09	LAH
N/A	D	NOR GIS2018 / 1991-07-08	1991-10-11	RR
-	E	NOR L2S3033 / 2002-07-22	2002-08-05	JJW
A	F	NOR L0TS3072 / 2007-08-06	2007-08-20	BMG

NOTES

- MIL-W-13855 APPLIES.
- QUALITY ASSURANCE PROVISION REQUIREMENTS PER DRAWING NUMBER 12993884 APPLY.



ISOMETRIC VIEW SCALE 2.000



SECTION A-A SCALE 8.000

ITEM OR FIND NO.	QTY. REQ.	CAGE CODE	PART NO. OR IDENTIFYING NO.	NOMENCLATURE OR DESCRIPTION	REMARKS
4	1	96906	MS16562-96	PIN, SPRING-TUBULAR, SLOTTED	PER NASMI6562
3	1	19204	8448588	GUARD, TRIGGER	
2	1	19204	8448590	SPRING, TRIGGER GUARD	
1	1	19204	8448589	PLUNGER, TRIGGER GUARD	

CURRENT DESIGN ACTIVITY CAGE CODE 19200 US ARMY ARMAMENT RESEARCH, DEVELOPMENT AND ENGINEERING CENTER PICATINNY ARSENAL, NEW JERSEY 07806-5000

THIS DRAWING WAS GENERATED FROM A SOLID MODEL AND IS CAD MAINTAINED. CHANGES SHALL BE INCORPORATED BY THE DESIGN ACTIVITY.

PART NO. 8448587

DISTRIBUTION STATEMENT F: FURTHER DISTRIBUTION ONLY AS DIRECTED BY US ARMY ARDEC AMSTA-AR-CCL-F, ROCK ISLAND, IL; 1993-09-14.

PMIC			DO NOT SCALE DRAWING	CONTRACT NUMBER	DESIGN ACTIVITY
			UNLESS OTHERWISE SPECIFIED DIMENSIONS ARE IN INCHES	CONTRACTOR	US ARMY ROCK ISLAND ARSENAL ROCK ISLAND, ILLINOIS
MECHANICAL PROPERTIES		M4A1	TOLERANCE ON ANGLES ± ° 2 PLACE DECIMALS ± 3 PLACE DECIMALS ±	DRAWN BY G. STRAHL	DATE(YEAR-MO-DA) 1970-04-27
YP	9390011	M16A4	THIRD ANGLE PROJECTION	CHECKER K. JOHNSON-ESERV	ENGINEER J. WINDHAM
TS	9327230	M16A3		ENGINEER L. KO	QUALITY ENGINEER E. SESE
EL2	8448605	M16A2		DRAWING APPROVAL L. BRUNTON	2002-07-22
RA	8448579	M16A1		DESIGN APPROVAL R. ELBE	2002-07-22
BH					
RH					
	NEXT ASSY	USED ON	MATL ENGR	MODELED BY G. STRAHL	
	APPLICATION				

TRIGGER GUARD ASSEMBLY

SIZE C	CAGE CODE 19204	DWG NO. 8448587
SCALE 4.000	UNIT WT. 0.010	SHEET 1 OF 1