

NOTICE: RESTRICTED AS TO USE AND DISCLOSURE

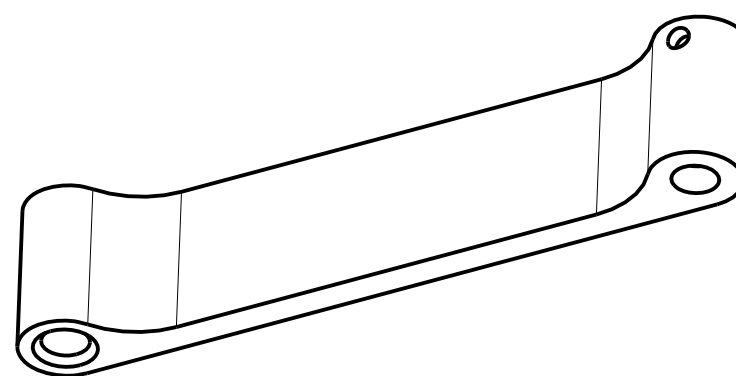
THIS ENTIRE DOCUMENT AND ALL INFORMATION IS PROPRIETARY TO COLT INC. AND SHALL NOT BE REPRODUCED, DUPLICATED OR COPIED IN WHOLE OR IN PART, DISCLOSED OR MADE AVAILABLE TO ANY OTHER PERSON, FIRM, OR CORPORATION OR OTHERWISE USED EXCEPT TO THE EXTENT NECESSARY FOR AND THEN ONLY IN CONNECTION WITH THE PREPARATION CONNECTION WITH THE PREPARATION AND/OR SUBMISSION OF BIDS OR PROPOSALS RELATED TO A PROCUREMENT BEING EFFECTED BY THE UNITED STATES EITHER BY THE UNITED STATES GOVERNMENT OR UNDER CONTRACT WITH THE UNITED STATES GOVERNMENT. THIS DOCUMENT WILL BE DISPOSED OF IN ACCORDANCE WITH THE INSTRUCTIONS ISSUED BY THE RESPONSIBLE CONTRACTING OFFICER UPON COMPLETION OF THE PURPOSE FOR WHICH IT WAS ISSUED.

SPECIAL LICENSE RIGHTS THE GOVERNMENT'S RIGHTS TO USE, MODIFY, REPRODUCE, RELEASE, PERFORM, DISPLAY, OR DISCLOSE THESE DATA ARE RESTRICTED BY CONTRACT NO. DAAF03-67-C-108, LICENSE NO. DAAF03-67-C-108. ANY REPRODUCTION OF TECHNICAL DATA OR PORTIONS THEREOF MARKED WITH THIS LEGEND MUST ALSO REPRODUCE THE MARKINGS.

DUE TO GOVERNMENT GENERATED ENGINEERING CHANGES, THERE MAY BE DATA AND/OR TOLERANCES NOT PROPRIETARY TO COLT'S.

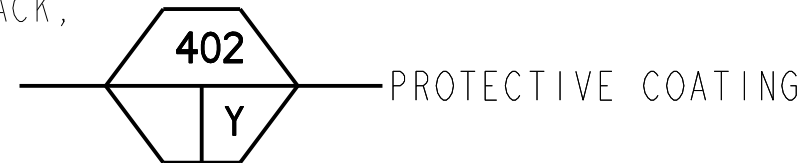
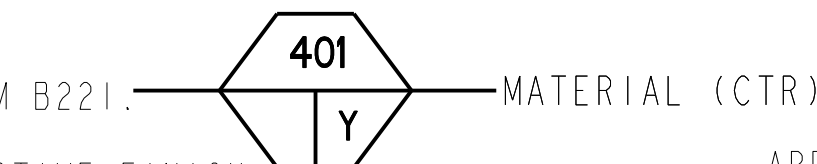
NOTES

- 1. MIL-W-13855 APPLIES.
2. MATERIAL: ALUMINUM ALLOY, 7075-T6, SPEC ASTM B221.
3. DIMENSIONAL LIMITS APPLY BEFORE FINAL PROTECTIVE FINISH.
4. SURFACE FINISH 125.
5. SANDBLAST PRIOR TO FINISH TO PRODUCE NONREFLECTIVE MATTE SURFACE AFTER FINISH.
6. FINISH MIL-A-8625 TYPE III, CLASS 2, FILM THICKNESS .0010 ±.0002. FINISH SHALL BE LUSTERLESS (FLAT) APPROX BLACK, NO. 37038, TABLE IX BUT NOT LIGHTER THAN GRAY NO. 36076, TABLE VIII OF FED-STD-595, AND SEAL.
7. BREAK SHARP EDGES .005+.010.
8. QUALITY ASSURANCE PROVISION REQUIREMENTS PER DRAWING 12993884 APPLY.

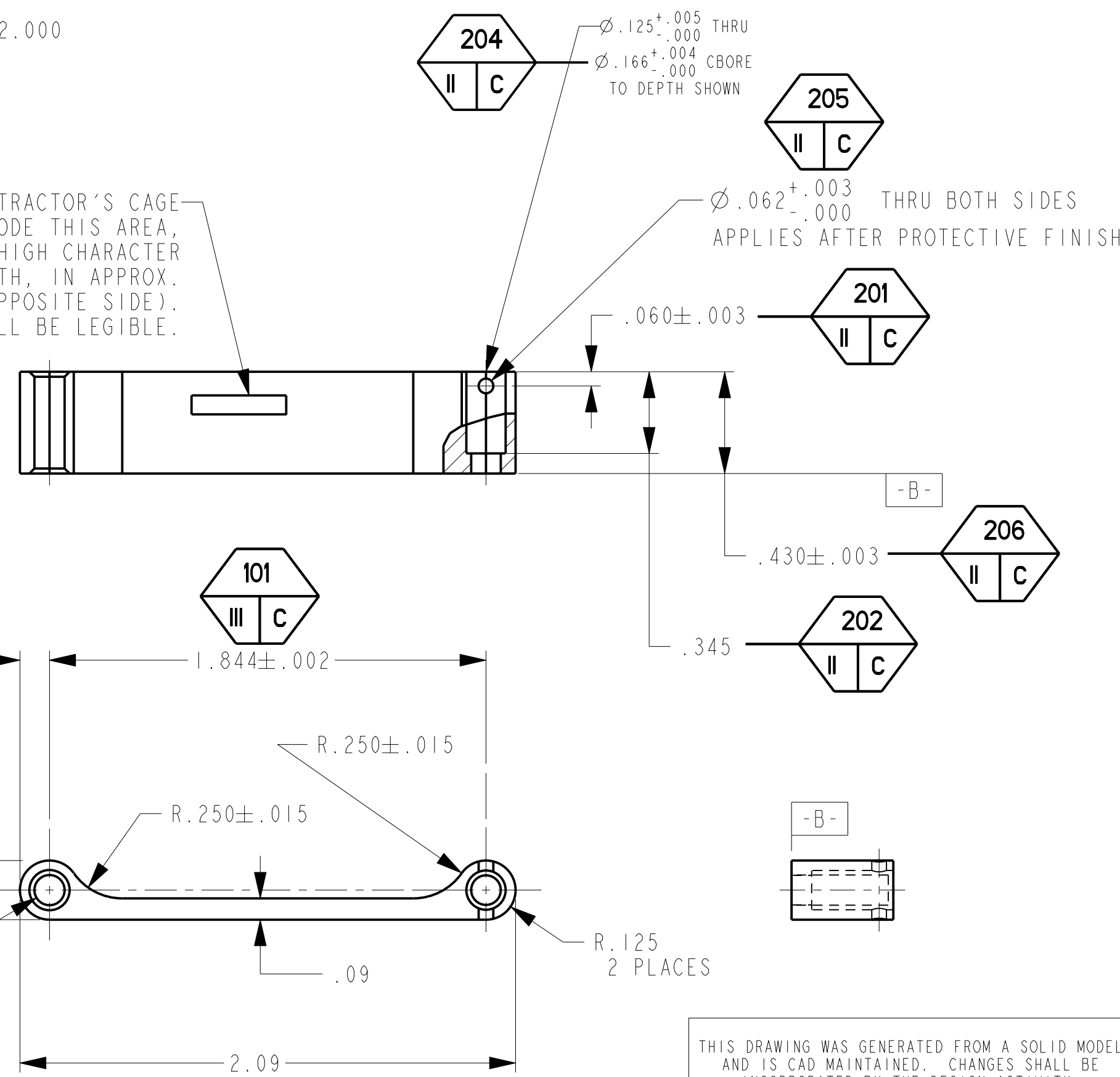


SCALE 2.000

Table with 5 columns: MODEL REV, DRAW REV, DESCRIPTION, DATE(YEAR-MO-DA), APPROVED. Contains revision history from 1991 to 2010.



APPLY PRIME CONTRACTOR'S CAGE CODE THIS AREA, .062 ±.010 HIGH CHARACTER X .015 MAX DEPTH, IN APPROX. POSITION SHOWN (OPPOSITE SIDE). CHARACTER SHALL BE LEGIBLE.



THIS DRAWING WAS GENERATED FROM A SOLID MODEL AND IS CAD MAINTAINED. CHANGES SHALL BE INCORPORATED BY THE DESIGN ACTIVITY.

CURRENT DESIGN ACTIVITY CAGE CODE 19200 US ARMY ARMAMENT RESEARCH, DEVELOPMENT AND ENGINEERING CENTER PICATINNY ARSENAL, NEW JERSEY 07806-5000

PART NO. 8448588

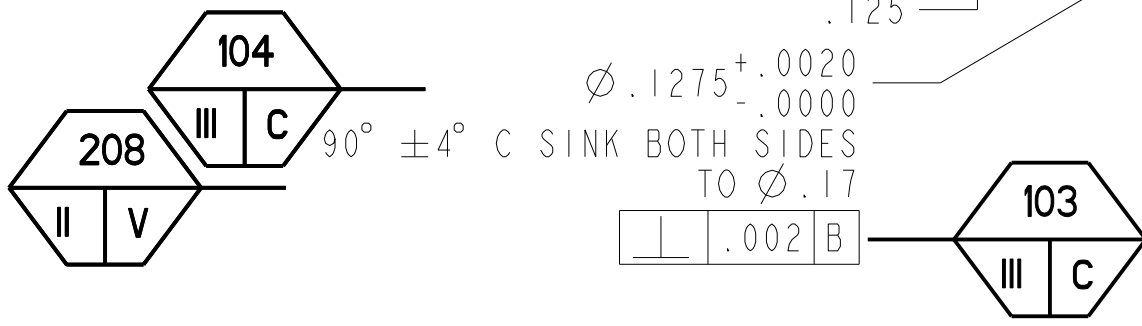
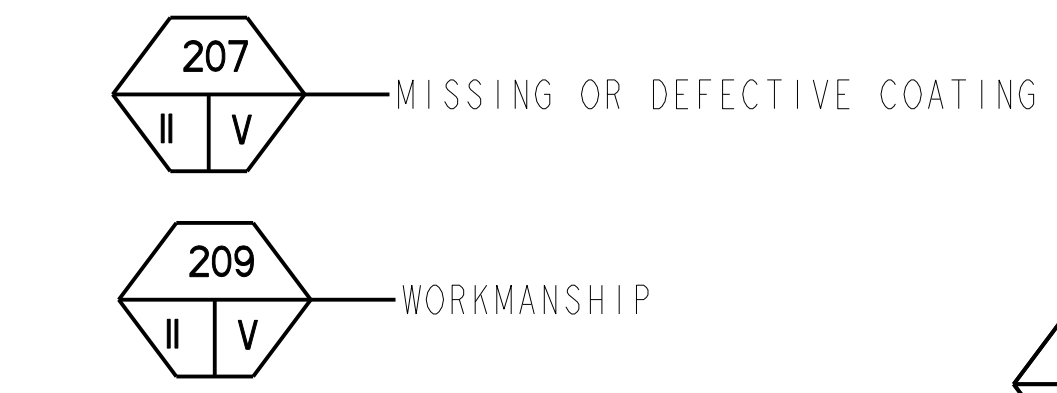


Table with columns for PMIC, MECHANICAL PROPERTIES, and APPLICATION. Includes rows for YP, TS, EL2, RA, BH, RH and application codes M4A1, M4, M16A4, M16A3, M16A2, M16A1.

Table with columns for CONTRACT NUMBER, CONTRACTOR, DRAWN BY, CHECKER, ENGINEER, DRAWING APPROVAL, DESIGN APPROVAL, DATE, and MODELED BY.

Table with columns for DESIGN ACTIVITY, US ARMY, ROCK ISLAND ARSENAL, ROCK ISLAND, ILLINOIS, and GUARD, TRIGGER.

Table with columns for SIZE, CAGE CODE, DWG NO., SCALE, UNIT WT., and SHEET. Values include C, 19204, 8448588, 2/1, 0.009, 1 OF 1.

DISTRIBUTION STATEMENT F: FURTHER DISTRIBUTION ONLY AS DIRECTED BY US ARMY ARDEC, AMSTA-AR-CCL-F, ROCK ISLAND, IL; 1993-09-14.