

NOTICE: RESTRICTED AS TO USE AND DISCLOSURE

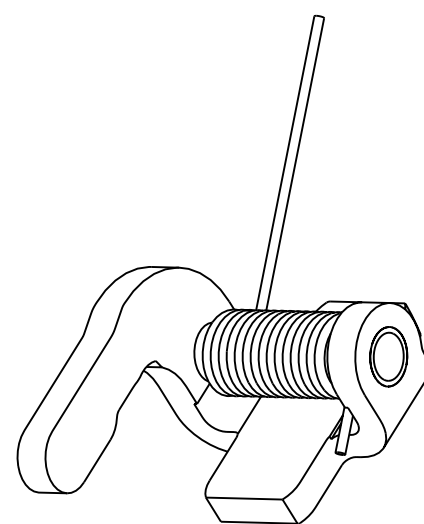
THIS ENTIRE DOCUMENT AND ALL INFORMATION IS PROPRIETARY TO COLT INC. AND SHALL NOT BE REPRODUCED, DUPLICATED OR COPIED IN WHOLE OR IN PART, DISCLOSED OR MADE AVAILABLE TO ANY OTHER PERSON, FIRM, OR CORPORATION OR OTHERWISE USED EXCEPT TO THE EXTENT NECESSARY FOR AND THEN ONLY IN CONNECTION WITH THE PREPARATION CONNECTION WITH THE PREPARATION AND/OR SUBMISSION OF BIDS OR PROPOSALS RELATED TO A PROCUREMENT BEING EFFECTED BY THE UNITED STATES EITHER BY THE UNITED STATES GOVERNMENT OR UNDER CONTRACT WITH THE UNITED STATES GOVERNMENT. THIS DOCUMENT WILL BE DISPOSED OF IN ACCORDANCE WITH THE INSTRUCTIONS ISSUED BY THE RESPONSIBLE CONTRACTING OFFICER UPON COMPLETION OF THE PURPOSE FOR WHICH IT WAS ISSUED.

SPECIAL LICENSE RIGHTS THE GOVERNMENT'S RIGHTS TO USE, MODIFY, REPRODUCE, RELEASE, PERFORM, DISPLAY, OR DISCLOSE THESE DATA ARE RESTRICTED BY CONTRACT NO. DAAF03-67-C-108, LICENSE NO. DAAF03-67-C-108. ANY REPRODUCTION OF TECHNICAL DATA OR PORTIONS THEREOF MARKED WITH THIS LEGEND MUST ALSO REPRODUCE THE MARKINGS.

DUE TO GOVERNMENT GENERATED ENGINEERING CHANGES, THERE MAY BE DATA AND/OR TOLERANCES NOT PROPRIETARY TO COLT'S.

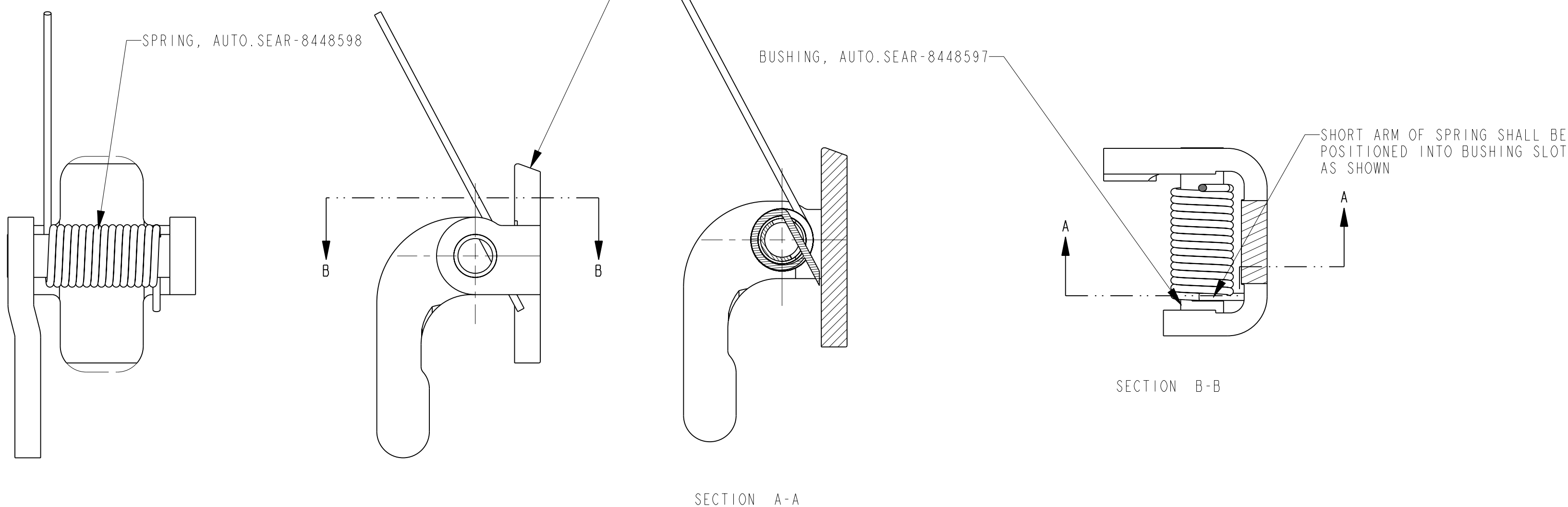
REVISIONS

Table with 5 columns: MODEL REV, DRAW REV, DESCRIPTION, DATE(YEAR-MO-DA), APPROVED. Contains 5 revision entries.



NOTES

- 1. APPLICABLE STANDARDS/SPECIFICATIONS: A. MIL-W-13855
2. QUALITY ASSURANCE PROVISION REQUIREMENTS PER DRAWING 12993884 APPLY.



THIS DRAWING WAS GENERATED FROM A SOLID MODEL AND IS CAD MAINTAINED. CHANGES SHALL BE INCORPORATED BY THE DESIGN ACTIVITY.

PART NO. 8448595

Legend for assembly errors: 101 ASSEMBLY INCORRECT, 102 PART MISSING, 201 WORKMANSHIP. Includes symbols for III, V, II, and V.

CURRENT DESIGN ACTIVITY CAGE CODE 19200 US ARMY ARMAMENT RESEARCH, DEVELOPMENT AND ENGINEERING CENTER PICATINNY ARSENAL, NEW JERSEY 07806-5000

Main technical drawing table with columns for PMIC, MECHANICAL PROPERTIES, APPLICATION, DO NOT SCALE DRAWING, THIRD ANGLE PROJECTION, CONTRACT NUMBER, DESIGN ACTIVITY, DRAWN BY, CHECKER, ENGINEER, DRAWING APPROVAL, DESIGN APPROVAL, SIZE, CAGE CODE, DWG NO., SCALE, UNIT WT., SHEET.

DISTRIBUTION STATEMENT F: FURTHER DISTRIBUTION ONLY AS DIRECTED BY US ARMY ARDEC, AMSTA-AR-CCL-F, ROCK ISLAND, IL; 1993-09-14.