

NOTICE: RESTRICTED AS TO USE AND DISCLOSURE

THIS ENTIRE DOCUMENT AND ALL INFORMATION IS PROPRIETARY TO COLT INC. AND SHALL NOT BE REPRODUCED, DUPLICATED OR COPIED IN WHOLE OR IN PART, DISCLOSED OR MADE AVAILABLE TO ANY OTHER PERSON, FIRM, OR CORPORATION OR OTHERWISE USED EXCEPT TO THE EXTENT NECESSARY FOR AND THEN ONLY IN CONNECTION WITH THE PREPARATION CONNECTION WITH THE PREPARATION AND/OR SUBMISSION OF BIDS OR PROPOSALS RELATED TO A PROCUREMENT BEING EFFECTED BY THE UNITED STATES EITHER BY THE UNITED STATES GOVERNMENT OR UNDER CONTRACT WITH THE UNITED STATES GOVERNMENT. THIS DOCUMENT WILL BE DISPOSED OF IN ACCORDANCE WITH THE INSTRUCTIONS ISSUED BY THE RESPONSIBLE CONTRACTING OFFICER UPON COMPLETION OF THE PURPOSE FOR WHICH IT WAS ISSUED.

SPECIAL LICENSE RIGHTS  
THE GOVERNMENT'S RIGHTS TO USE, MODIFY, REPRODUCE, RELEASE, PERFORM, DISPLAY, OR DISCLOSE THESE DATA ARE RESTRICTED BY CONTRACT NO. DAAF03-67-C-108, LICENSE NO. DAAF03-67-C-108. ANY REPRODUCTION OF TECHNICAL DATA OR PORTIONS THEREOF MARKED WITH THIS LEGEND MUST ALSO REPRODUCE THE MARKINGS.

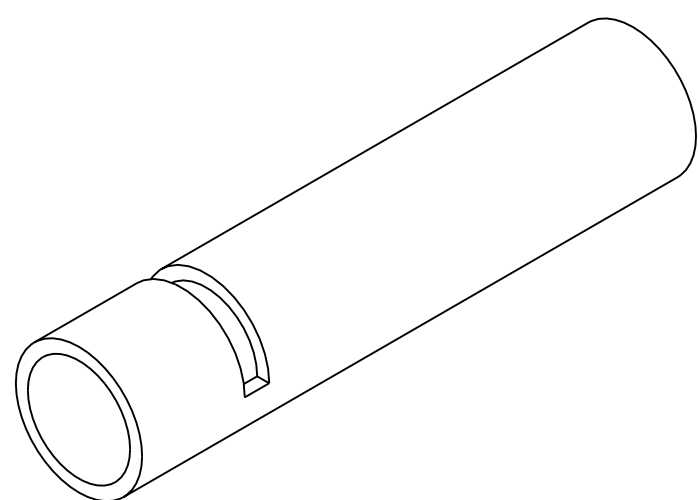
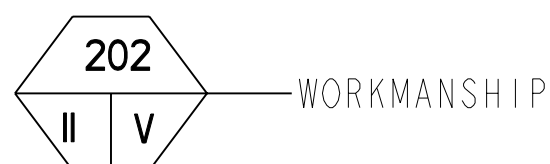
DUE TO GOVERNMENT GENERATED ENGINEERING CHANGES, THERE MAY BE DATA AND/OR TOLERANCES NOT PROPRIETARY TO COLT'S.

REVISIONS

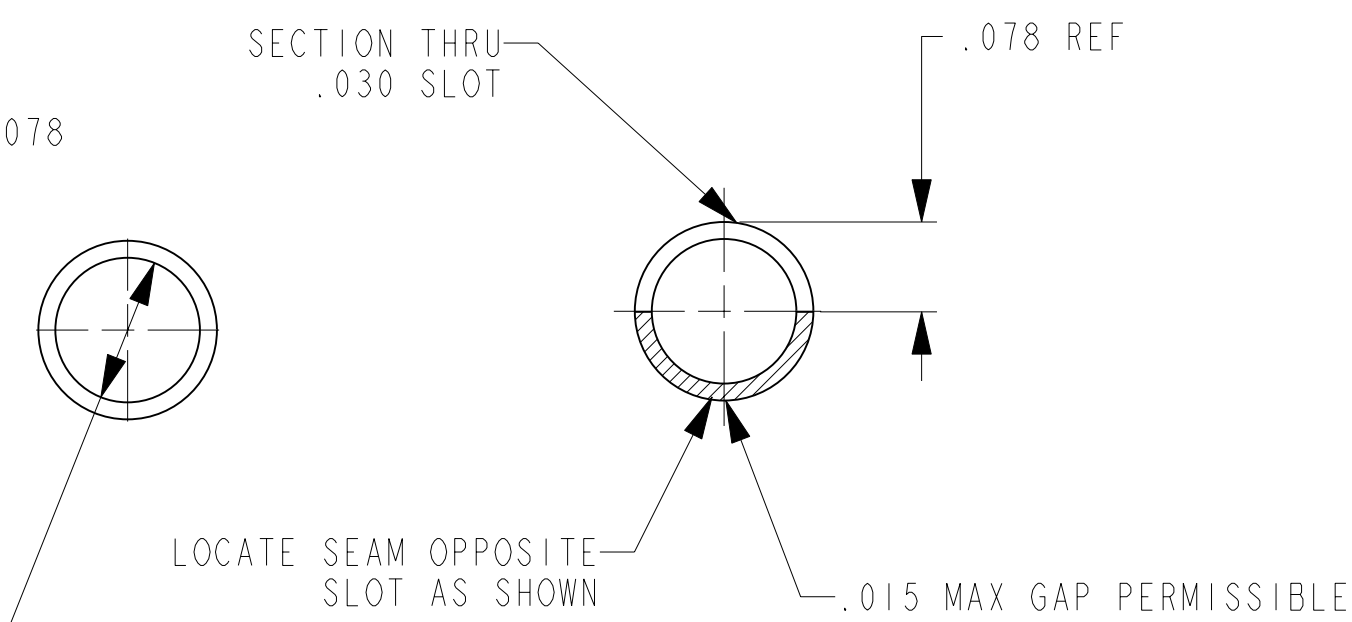
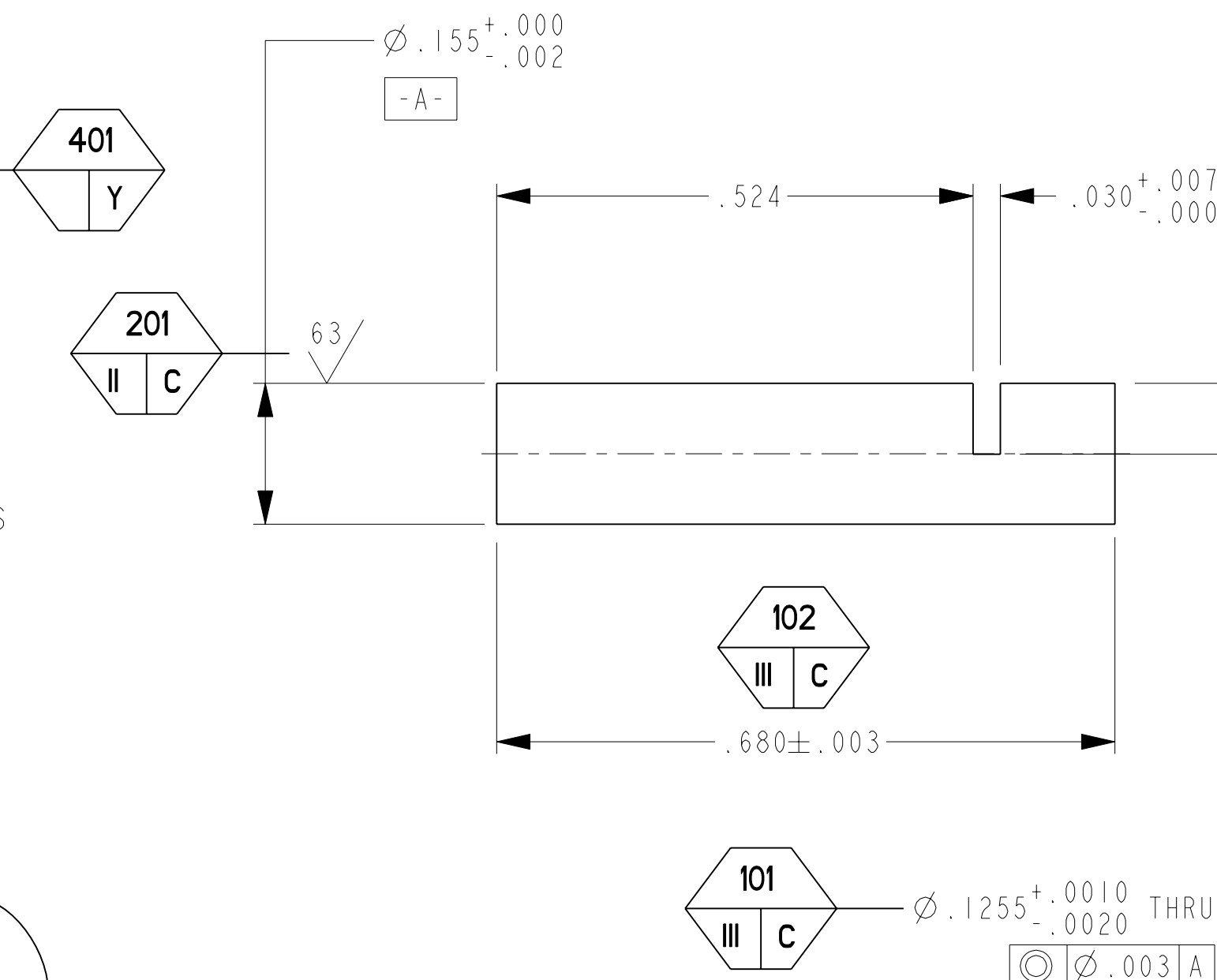
MODEL REV	DRAW REV	DESCRIPTION	DATE(YEAR-MO-DA)	APPROVED
N/A	C	NOR GIS2018 / 1991-07-08	1991-10-11	RR
N/A	D	NOR G3S3079 / 1993-09-03	1993-10-27	RC
N/A	E	NOR G5S3110 / 1995-11-20	1995-12-21	FET
-	F	NOR L2S3033 / 2002-07-22	2002-08-05	JJW
A	G	NOR L3S3161 / 2004-03-31	2004-08-13	RLV

NOTES

- MIL-W-13855 APPLIES.
- MATERIAL: STEEL, CORROSION RESISTING, FREE MACHINING, TYPE 303, ASTM A484.
- FINAL PROTECTIVE FINISH: 5.4.1 OF MIL-STD-171.
- SURFACE FINISH 125/EXCEPT AS NOTED.
- BREAK ALL SHARP EDGES .005 RMAX.
- QUALITY ASSURANCE PROVISION REQUIREMENTS PER DRAWING 12993884 APPLY.



SCALE 6.000



BLANKED AND FORMED  
-ALTERNATIVE METHOD-

MATERIAL REQUIRED:

STAINLESS STEEL, AISI  
TYPE 304, STRIP ANNEALED  
(.014 THICK REF)

THIS DRAWING WAS GENERATED FROM A SOLID MODEL AND IS CAD MAINTAINED. CHANGES SHALL BE INCORPORATED BY THE DESIGN ACTIVITY.

PART NO. 8448597

CURRENT DESIGN ACTIVITY CAGE CODE 19200  
US ARMY  
ARMAMENT RESEARCH, DEVELOPMENT AND ENGINEERING CENTER  
PICATINNY ARSENAL, NEW JERSEY 07806-5000

PMIC	MECHANICAL PROPERTIES	APPLICATION
	M4A1	
	M4	
	M16A4	
YP		
TS	8448595	M16A3
EL2		M16A2
RA	B8448595	M16A1
BH		
RH		

DO NOT SCALE DRAWING  
UNLESS OTHERWISE SPECIFIED DIMENSIONS ARE IN INCHES  
TOLERANCE ON ANGLES  $\pm$  °  
2 PLACE DECIMALS  $\pm$   
3 PLACE DECIMALS  $\pm$ .005  
THIRD ANGLE PROJECTION  
MATL ENGR  
MODELED BY  
G. STRAHL

CONTRACT NUMBER	
CONTRACTOR	
DRAWN BY G. STRAHL	DATE(YEAR-MO-DA) 1970-04-27
CHECKER K. JOHNSON-ESERV	ENGINEER L. KO
ENGINEER J. WINDHAM	QUALITY ENGINEER E. SESE
DRAWING APPROVAL L. BRUNTON 2002-07-22	
DESIGN APPROVAL R. ELBE 2002-07-22	

DESIGN ACTIVITY		
US ARMY ROCK ISLAND ARSENAL ROCK ISLAND, ILLINOIS		
BUSHING, AUTOMATIC SEAR		
SIZE C	CAGE CODE 19204	DWG NO. 8448597
SCALE 4/1	UNIT WT. 0.001	SHEET 1 OF 1

DISTRIBUTION STATEMENT F: FURTHER DISTRIBUTION ONLY AS DIRECTED BY US ARMY ARDEC, AMSTA-AR-CCL-F, ROCK ISLAND, IL; 1993-09-14.