

NOTICE: RESTRICTED AS TO USE AND DISCLOSURE

THIS ENTIRE DOCUMENT AND ALL INFORMATION IS PROPRIETARY TO COLT INC. AND SHALL NOT BE REPRODUCED, DUPLICATED OR COPIED IN WHOLE OR IN PART, DISCLOSED OR MADE AVAILABLE TO ANY OTHER PERSON, FIRM, OR CORPORATION OR OTHERWISE USED EXCEPT TO THE EXTENT NECESSARY FOR AND THEN ONLY IN CONNECTION WITH THE PREPARATION CONNECTION WITH THE PREPARATION AND/OR SUBMISSION OF BIDS OR PROPOSALS RELATED TO A PROCUREMENT BEING EFFECTED BY THE UNITED STATES EITHER BY THE UNITED STATES GOVERNMENT OR UNDER CONTRACT WITH THE UNITED STATES GOVERNMENT. THIS DOCUMENT WILL BE DISPOSED OF IN ACCORDANCE WITH THE INSTRUCTIONS ISSUED BY THE RESPONSIBLE CONTRACTING OFFICER UPON COMPLETION OF THE PURPOSE FOR WHICH IT WAS ISSUED.

SPECIAL LICENSE RIGHTS THE GOVERNMENT'S RIGHTS TO USE, MODIFY, REPRODUCE, RELEASE, PERFORM, DISPLAY, OR DISCLOSE THESE DATA ARE RESTRICTED BY CONTRACT NO. DAAF03-67-C-108, LICENSE NO. DAAF03-67-C-108. ANY REPRODUCTION OF TECHNICAL DATA OR PORTIONS THEREOF MARKED WITH THIS LEGEND MUST ALSO REPRODUCE THE MARKINGS.

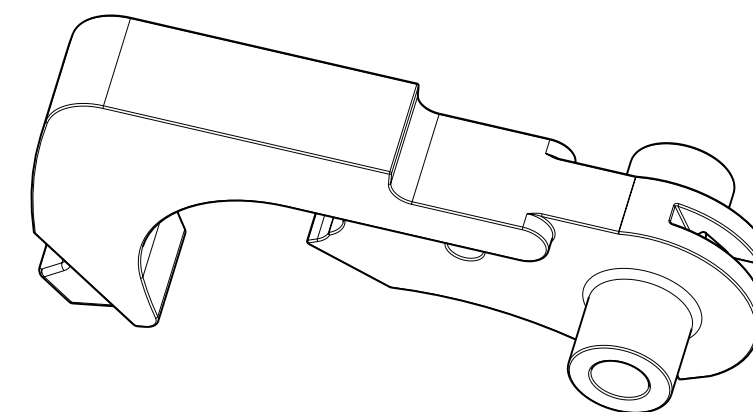
DUE TO GOVERNMENT GENERATED ENGINEERING CHANGES, THERE MAY BE DATA AND/OR TOLERANCES NOT PROPRIETARY TO COLT'S.

REVISIONS

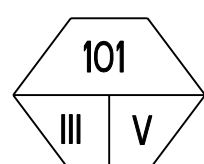
MODEL REV	DRAW REV	DESCRIPTION	DATE(YEAR-MO-DA)	APPROVED
N/A	B	(2) SEE ERR HQR 20778	1972-10-06	RE
N/A	C	NOR W2S0026 / 1982-05-21	1983-02-03	
-	D	NOR L2S3044 / 2002-08-28	2002-10-22	JJW

NOTES

1. COIN BOTH SIDES OF RETAINER , 8448614 TO **-C-**. AFTER COINING, RETAINER SHALL HAVE .010 MIN LONGITUDINAL MOVEMENT.
2. MIL-W-13855 APPLIES.
3. QUALITY ASSURANCE PROVISION REQUIREMENTS PER DRAWING 12993884 APPLY.

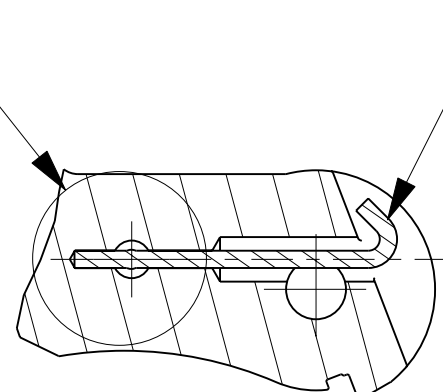


SCALE 2.000



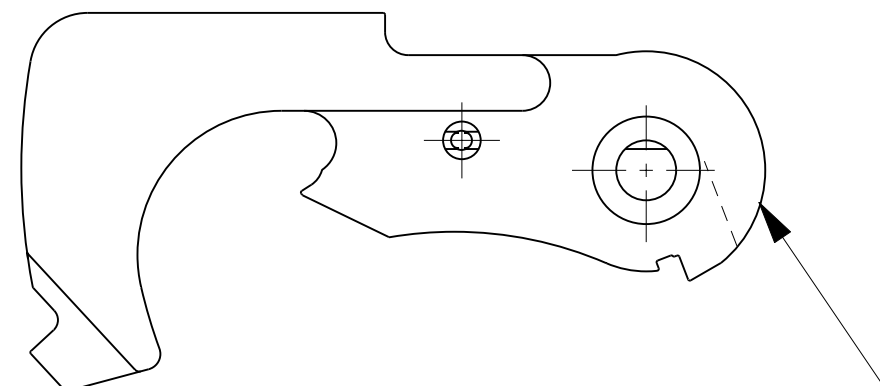
PARTS MISSING OR IMPROPERLY ASSEMBLED

SEE DETAIL B

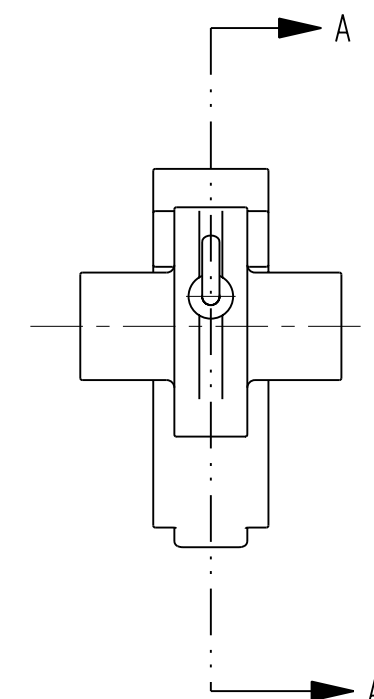


SECTION A-A

RETAINER, HAMMER PIN-8448614

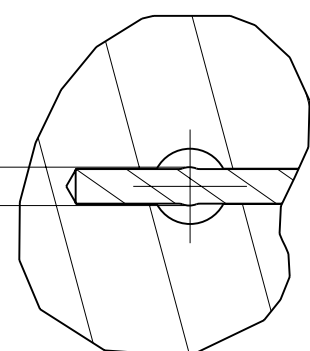


HAMMER-8448613



.050<sup>+.005</sup><sub>-.000</sub>

**-C-** SEE NOTE 1.



DETAIL B SCALE 4.000

THIS DRAWING WAS GENERATED FROM A SOLID MODEL AND IS CAD MAINTAINED. CHANGES SHALL BE INCORPORATED BY THE DESIGN ACTIVITY.

PART NO. 8448612

CURRENT DESIGN ACTIVITY CAGE CODE 19200  
US ARMY  
ARMAMENT RESEARCH, DEVELOPMENT AND ENGINEERING CENTER  
PICATINNY ARSENAL, NEW JERSEY 07806-5000

PMIC			DO NOT SCALE DRAWING		CONTRACT NUMBER		DESIGN ACTIVITY	
			UNLESS OTHERWISE SPECIFIED DIMENSIONS ARE IN INCHES		CONTRACTOR		US ARMY ROCK ISLAND ARSENAL ROCK ISLAND, ILLINOIS	
MECHANICAL PROPERTIES			TOLERANCE ON ANGLES ± ° 2 PLACE DECIMALS ± 3 PLACE DECIMALS ±		DRAWN BY J. MACON-ESERV		DATE(YEAR-MO-DA) 1970-04-27	
YP			THIRD ANGLE PROJECTION		CHECKER J. MACON-ESERV		ENGINEER J. WINDHAM	
TS					ENGINEER L.KO		QUALITY ENGINEER E. SESE	
EL2		M16A3			DRAWING APPROVAL L. BRUNTON		2002-08-28	
RA		B8448610	NEXT ASSY		DESIGN APPROVAL R. ELBE		CAGE CODE 19204	
BH		M16A1	USED ON		2002-08-28		DWG NO. 8448612	
RH		APPLICATION		MATL ENGR	MODELED BY J. MACON-ESERV	SCALE 2/1		UNIT WT. 0.073
DISTRIBUTION STATEMENT F: FURTHER DISTRIBUTION ONLY AS DIRECTED BY US ARMY; ARDEC, AMSTA-AR-CCL-F,							SHEET 1 OF 1	