

**NOTICE: RESTRICTED AS TO USE AND DISCLOSURE**  
 THIS ENTIRE DOCUMENT AND ALL INFORMATION IS PROPRIETARY TO COLT'S INC. AND SHALL NOT BE REPRODUCED, DUPLICATED OR COPIED IN WHOLE OR IN PART, DISCLOSED OR MADE AVAILABLE TO ANY OTHER PERSON, FIRM OR CORPORATION OR OTHERWISE USED EXCEPT TO THE EXTENT NECESSARY FOR THEM ONLY IN CONNECTION WITH THE PREPARATION AND/OR SUBMISSION OF BIDS OR PROPOSALS RELATED TO A PROCUREMENT BEING EFFECTED BY THE UNITED STATES GOVERNMENT OR IN CONNECTION WITH THE MANUFACTURE IN THE UNITED STATES EITHER BY THE UNITED STATES GOVERNMENT OR UNDER A CONTRACT WITH THE UNITED STATES GOVERNMENT. THIS DOCUMENT WILL BE DISPOSED OF IN ACCORDANCE WITH INSTRUCTIONS ISSUED BY THE RESPONSIBLE CONTRACTING OFFICER UPON COMPLETION OF THE PURPOSE FOR WHICH IT WAS ISSUED.

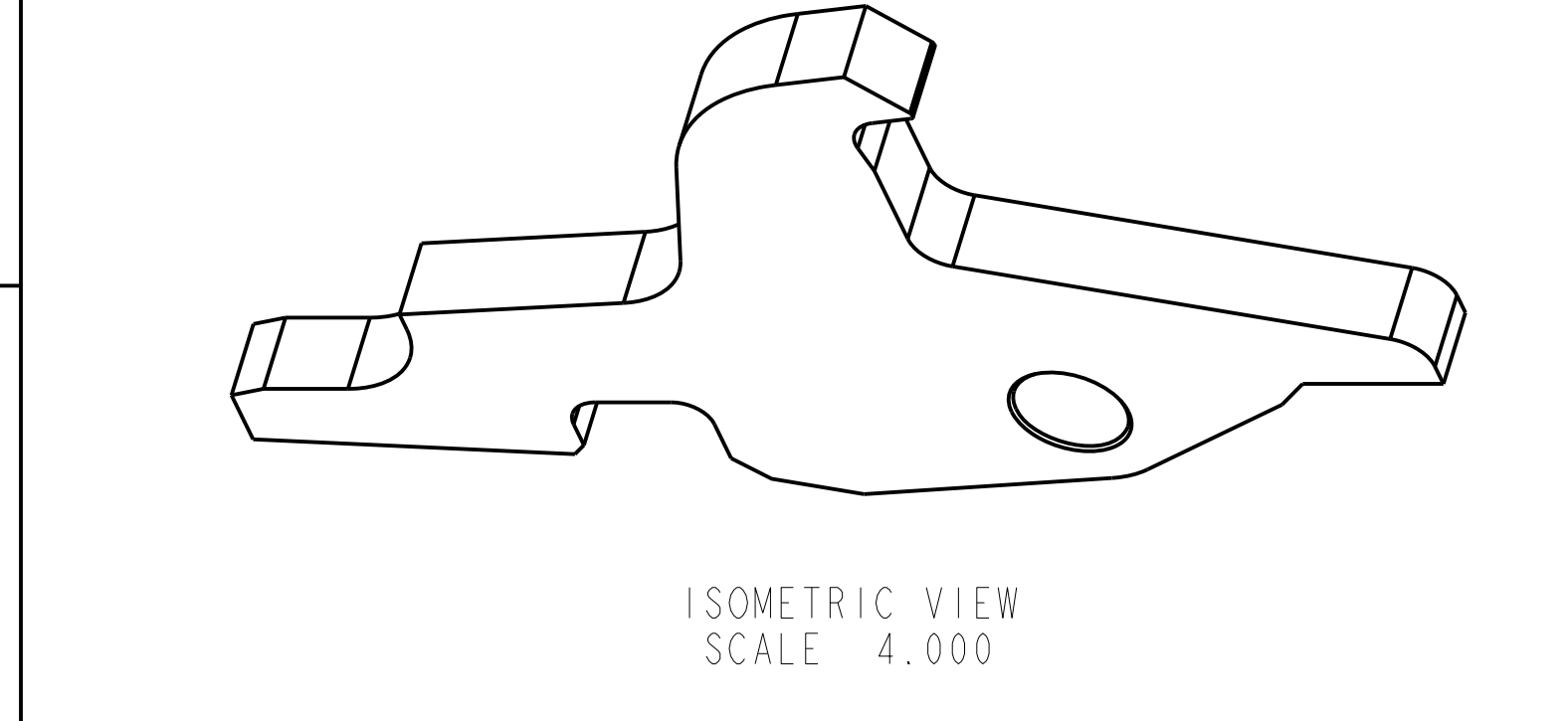
**SPECIAL LICENSE RIGHTS**  
 THE GOVERNMENT'S RIGHTS TO USE, MODIFY, REPRODUCE, RELEASE, PERFORM, DISPLAY, OR DISCLOSE THESE DATA ARE RESTRICTED BY CONTRACT NO. DAAFO3-87-C-108, LICENSE NO. DAAFO3-87-C-108. ANY REPRODUCTION OF TECHNICAL DATA OR PORTIONS THEREOF MARKED WITH THIS LEGEND MUST ALSO REPRODUCE THE MARKINGS.

**DUE TO GOVERNMENT GENERATED ENGINEERING CHANGES, THERE MAY BE DATA AND/OR TOLERANCES NOT PROPRIETARY TO COLT'S.**

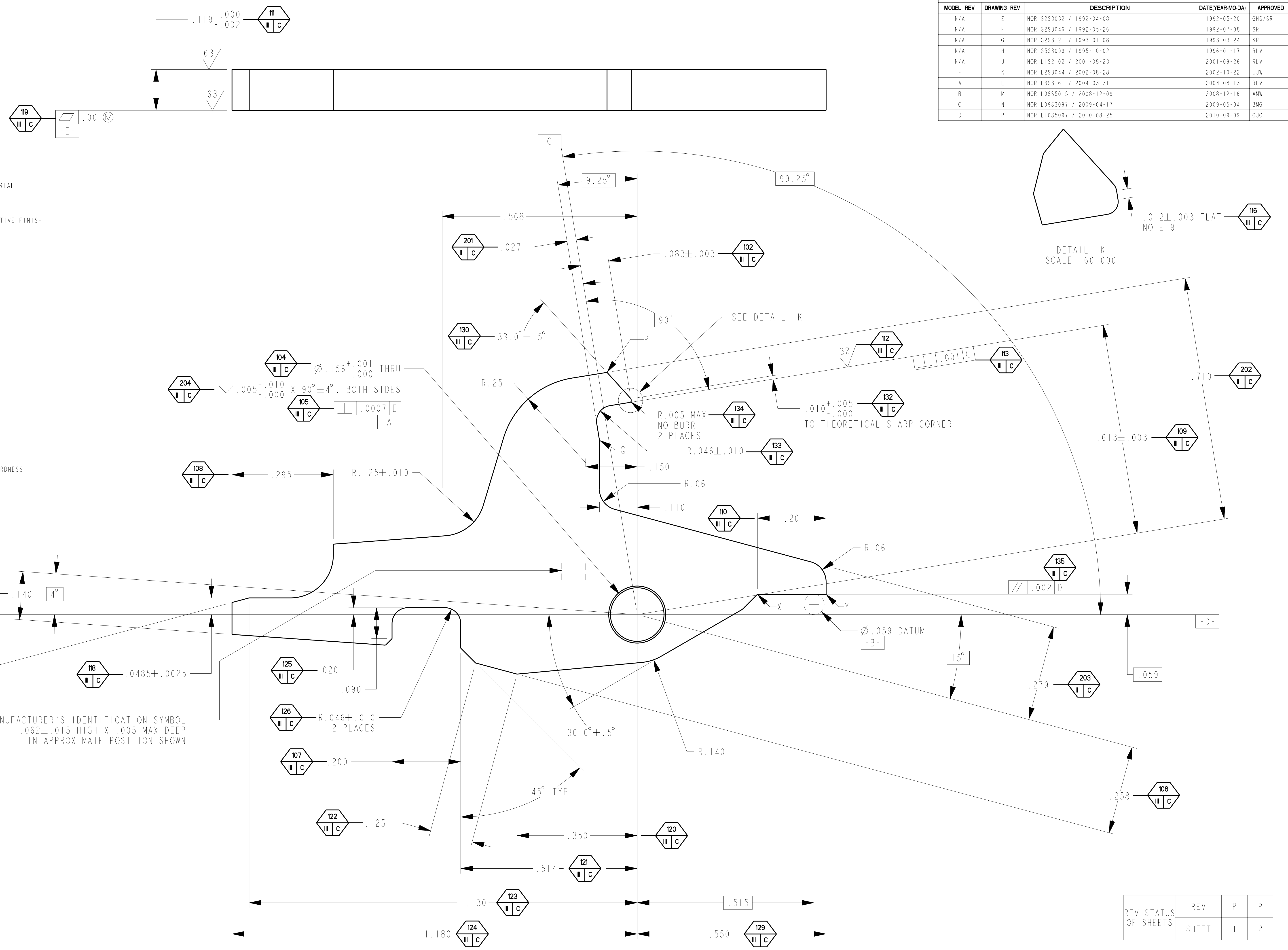
REVISIONS				DATE(YEAR-MO-DA)	APPROVED
MODEL REV	DRAWING REV	DESCRIPTION			
N/A	E	NOR G2S3032 / 1992-04-08		1992-05-20	GHS/SR
N/A	F	NOR G2S3046 / 1992-05-26		1992-07-08	SR
N/A	G	NOR G2S3121 / 1993-01-08		1993-03-24	SR
N/A	H	NOR G5S3099 / 1995-10-02		1996-01-17	RLV
N/A	J	NOR L1S2102 / 2001-08-23		2001-09-26	RLV
-	K	NOR L2S3044 / 2002-08-28		2002-10-22	JJW
A	L	NOR L3S3161 / 2004-03-31		2004-08-13	RLV
B	M	NOR L08S5015 / 2008-12-09		2008-12-16	AMW
C	N	NOR L09S3097 / 2009-04-17		2009-05-04	BMG
D	P	NOR L10S5097 / 2010-08-25		2010-09-09	GJC

- NOTES**
- APPLICABLE SPECIFICATIONS AND STANDARDS:  
 A. MIL-W-13855.  
 B. ANSI 14.5M-1982.
  - MATERIAL: STEEL, AISI 1065 OR 1070 PER ASTM A 684.
  - SURFACE FINISH: 125/ EXCEPT AS NOTED.  
 PROTECTIVE FINISH: FINISH 5.3.1.2 OF MIL-STD-171.
  - BREAK EDGES .010 MAX.
  - ALL DIMENSIONS APPLY WHEN PART IS LOCATED ON -A- AND -B-.
  - SURFACES P-Q AND X-Y:  
 A. SURFACE FINISH: 63.  
 B. NO DIE BREAK.  
 C. .001/ E.
  - 
  - DIE ROLL PERMISSIBLE ON EXTERNAL SHARP CORNERS AS SHOWN ON SHEET 2, ONE SIDE ONLY, EITHER SIDE.  
 DESIGNATES DIE ROLL AREA.
  - .012±.003 FLAT REQUIREMENT LIMITS USE OF FULL TOLERANCE BAND ON THE .010<sup>+</sup>.005<sub>-</sub>.000 DIM AND ITS RELATED DIMENSIONS AT OPPOSITE TOLERANCE EXTREMES.
  - HARDNESS: ROCKWELL C 46 TO 50 OR EQUIVALENT.
  - QUALITY ASSURANCE PROVISIONS REQUIREMENTS PER DRAWING NUMBER 12993884 APPLY.

- |     |       |  |
|-----|-------|--|
| 206 | II C  | SURFACE FINISH                               |
| 205 | II V  | NO DIE BREAK                                 |
| 103 | III C | PERPENDICULARITY                             |
| 501 | Z     | HARDNESS                                     |
| 403 | Y     | HARDNESS                                     |
| 208 | II V  | MISSING OR DEFECTIVE PROTECTIVE FINISH       |
| 209 | II V  | WORKMANSHIP                                  |
| 502 | Z     | SALT SPRAY TEST                              |
| 404 | Y     | SALT SPRAY TEST                              |
| 503 | Z     | COATING WEIGHT                               |
| 405 | Y     | COATING WEIGHT                               |
| 504 | Z     | SUPPLEMENTARY OIL TREATMENT, SALT SPRAY TEST |
| 406 | Y     | SUPPLEMENTARY OIL TREATMENT, SALT SPRAY TEST |



DISTRIBUTION STATEMENT F. FURTHER DISTRIBUTION ONLY AS DIRECTED BY US ARMY, ARDEC, AMSTA-AR-CCL-F, ROCK ISLAND, IL; 2001-02-22.



REV STATUS OF SHEETS	REV	P	P
	SHEET	1	2

THIS DRAWING WAS GENERATED FROM A SOLID MODEL AND IS CAD MAINTAINED. CHANGES SHALL BE INCORPORATED BY THE DESIGN ACTIVITY.

CURRENT DESIGN ACTIVITY CAGE CODE 19200  
 US ARMY  
 ARMAMENT RESEARCH, DEVELOPMENT AND ENGINEERING CENTER  
 PISCATAWAY ARSENAL, NEW JERSEY 07806-5000

**PART NO. 8448635**

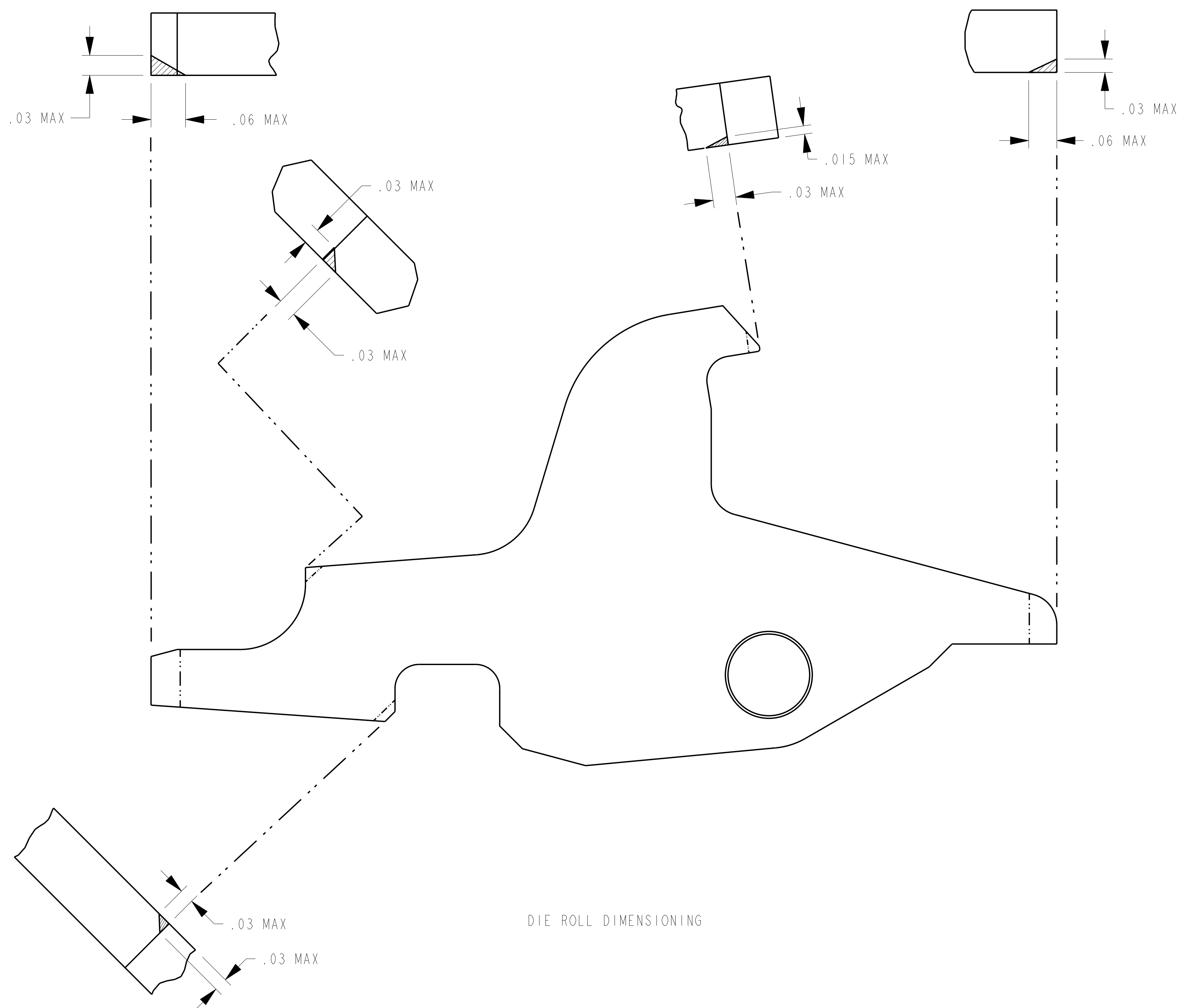
PMIC	DO NOT SCALE DRAWING		CONTRACT NUMBER	DESIGN ACTIVITY
	UNLESS OTHERWISE SPECIFIED DIMENSIONS ARE IN INCHES		CONTRACTOR	US ARMY ROCK ISLAND ARSENAL ROCK ISLAND, ILLINOIS
MECHANICAL PROPERTIES	TOLERANCES ON ANGLES ± 2° 2 PLACE DECIMALS ± .01 3 PLACE DECIMALS ± .005		DRAWN BY	DATE (YEAR-MO-DA)
	THIRD ANGLE PROJECTION		CHECKER	ENGINEER
YP	12972690	M4A1	J. WINDHAM	1970-04-23
TS	12012001	M16A3	J. WINDHAM	
EL2	8448578	M16A1	J. WINDHAM	
RA	8448604	M16	J. WINDHAM	
BH			L. KO	QUALITY ENGINEER
RH			L. CICHUCKI	
NEXT ASSY USED ON		MATL ENGR	MODELED BY	DRAWING APPROVAL
APPLICATION			J. WINDHAM	L. BRINTON 2002-08-28
				DESIGN APPROVAL
				R. ELBE 2002-08-28
SIZE	CAGE CODE	DWG NO.	DISCONNECT	
F	19204	8448635		
SCALE	UNIT WT.	SHEET	1 OF 2	
8.000	0.0200			

**NOTICE: RESTRICTED AS TO USE AND DISCLOSURE**  
 THIS ENTIRE DOCUMENT AND ALL INFORMATION IS PROPRIETARY TO COLT'S INC. AND SHALL NOT BE REPRODUCED, DUPLICATED OR COPIED IN WHOLE OR IN PART, DISCLOSED OR MADE AVAILABLE TO ANY OTHER PERSON, FIRM OR CORPORATION OR OTHERWISE USED EXCEPT TO THE EXTENT NECESSARY FOR THEN ONLY IN CONJUNCTION WITH THE PREPARATION AND/OR SUBMISSION OF BIDS OR PROPOSALS RELATED TO A PROCUREMENT BEING EFFECTED BY THE UNITED STATES GOVERNMENT OR IN CONJUNCTION WITH THE MANUFACTURE IN THE UNITED STATES EITHER BY THE UNITED STATES GOVERNMENT OR UNDER A CONTRACT WITH THE UNITED STATES GOVERNMENT. THIS DOCUMENT WILL BE DISPOSED OF IN ACCORDANCE WITH INSTRUCTIONS ISSUED BY THE RESPONSIBLE CONTRACTING OFFICER UPON COMPLETION OF THE PURPOSE FOR WHICH IT WAS ISSUED.

**SPECIAL LICENSE RIGHTS**  
 THE GOVERNMENT'S RIGHTS TO USE, MODIFY, REPRODUCE, RELEASE, PERFORM, DISPLAY, OR DISCLOSE THESE DATA ARE RESTRICTED BY CONTRACT NO. DAAFO3-67-C-108, LICENSE NO. DAAFO3-67-C-108. ANY REPRODUCTION OF TECHNICAL DATA OR PORTIONS THEREOF MARKED WITH THIS LEGEND MUST ALSO REPRODUCE THE MARKINGS.

**DUE TO GOVERNMENT GENERATED ENGINEERING CHANGES, THERE MAY BE DATA AND/OR TOLERANCES NOT PROPRIETARY TO COLT'S.**

REVISIONS				
MODEL REV	DRAWING REV	DESCRIPTION	DATE(YEAR-MO-DA)	APPROVED
N/A	E	NOR G2S3032 / 1992-04-08	1992-05-20	GHS/SR
N/A	F	NOR G2S3046 / 1992-05-26	1992-07-08	SR
N/A	G	NOR G2S3121 / 1993-01-08	1993-03-24	SR
N/A	H	NOR G5S3099 / 1995-10-02	1996-01-17	RLV
N/A	J	NOR L1S2102 / 2001-08-23	2001-09-26	RLV
-	K	NOR L2S3044 / 2002-08-28	2002-10-22	JJW
A	L	NOR L3S3161 / 2004-03-31	2004-08-13	RLV
B	M	NOR L08S5015 / 2008-12-09	2008-12-16	AMW
C	N	NOR L09S3097 / 2009-04-07	2009-05-04	BMG
D	P	NOR L10S5097 / 2010-08-25	2010-09-09	GJC



THIS DRAWING WAS GENERATED FROM A SOLID MODEL AND IS CAD MAINTAINED. CHANGES SHALL BE INCORPORATED BY THE DESIGN ACTIVITY.

CURRENT DESIGN ACTIVITY CAGE CODE 19200  
 US ARMY  
 ARMAMENT RESEARCH, DEVELOPMENT AND ENGINEERING CENTER  
 PISCATAWAY ARSENAL, NEW JERSEY 07806-5000

**PART NO.** 8448635

DISTRIBUTION STATEMENT F. FURTHER DISTRIBUTION ONLY AS DIRECTED BY US ARMY, ARDEC, AMSTA-AR-CCL-F, ROCK ISLAND, IL; 2001-02-22.

PMIC			DO NOT SCALE DRAWING UNLESS OTHERWISE SPECIFIED DIMENSIONS ARE IN INCHES	CONTRACT NUMBER		DESIGN ACTIVITY	
				CONTRACTOR		US ARMY ROCK ISLAND ARSENAL ROCK ISLAND, ILLINOIS	
MECHANICAL PROPERTIES			TOLERANCES ON ANGLES ± 2° 2 PLACE DECIMALS ± .01 3 PLACE DECIMALS ± .005	DRAWN BY	DATE (YEAR-MO-DA)	DISCONNECT	
YP	12972690	M4A1		J. WINDHAM	1970-04-27		
TS	12012001	M16A3	CHECKER	ENGINEER			
EL2	8448578	M16A1	J. MACON - ESERV	J. WINDHAM			
RA	8448604	M16	ENGINEER	QUALITY ENGINEER	L. COCHUCKI	SIZE	CAGE CODE
BH			NEXT ASSY	USED ON		F	19204
RH			APPLICATION		MATL ENGR	MODELED BY	DWG NO.
							8448635
					J. WINDHAM	DESIGN APPROVAL	SCALE
						R. ELBE	8.000
							UNIT WT.
							0.0200
							SHEET
							2 OF 2