

NOTICE: RESTRICTED AS TO USE AND DISCLOSURE

THIS ENTIRE DOCUMENT AND ALL INFORMATION IS PROPRIETARY TO COLT INC. AND SHALL NOT BE REPRODUCED, DUPLICATED OR COPIED IN WHOLE OR IN PART, DISCLOSED OR MADE AVAILABLE TO ANY OTHER PERSON, FIRM, OR CORPORATION OR OTHERWISE USED EXCEPT TO THE EXTENT NECESSARY FOR AND THEN ONLY IN CONNECTION WITH THE PREPARATION CONNECTION WITH THE PREPARATION AND/OR SUBMISSION OF BIDS OR PROPOSALS RELATED TO A PROCUREMENT BEING EFFECTED BY THE UNITED STATES EITHER BY THE UNITED STATES GOVERNMENT OR UNDER CONTRACT WITH THE UNITED STATES GOVERNMENT. THIS DOCUMENT WILL BE DISPOSED OF IN ACCORDANCE WITH THE INSTRUCTIONS ISSUED BY THE RESPONSIBLE CONTRACTING OFFICER UPON COMPLETION OF THE PURPOSE FOR WHICH IT WAS ISSUED.

SPECIAL LICENSE RIGHTS THE GOVERNMENT'S RIGHTS TO USE, MODIFY, REPRODUCE, RELEASE, PERFORM, DISPLAY, OR DISCLOSE THESE DATA ARE RESTRICTED BY CONTRACT NO. DAAF03-67-C-108. LICENSE NO. DAAF03-67-C-108. ANY REPRODUCTION OF TECHNICAL DATA OR PORTIONS THEREOF MARKED WITH THIS LEGEND MUST ALSO REPRODUCE THE MARKINGS.

DUE TO GOVERNMENT GENERATED ENGINEERING CHANGES, THERE MAY BE DATA AND/OR TOLERANCES NOT PROPRIETARY TO COLT'S.

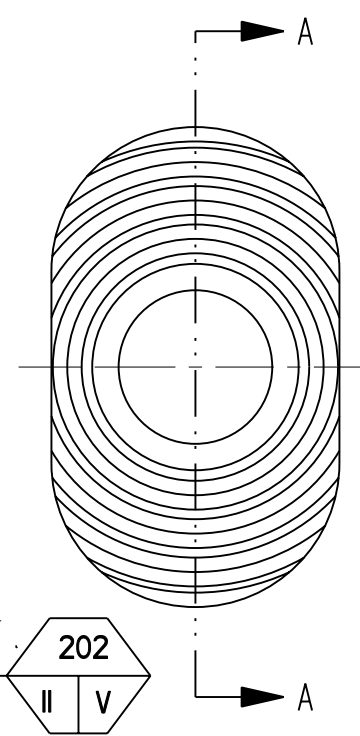
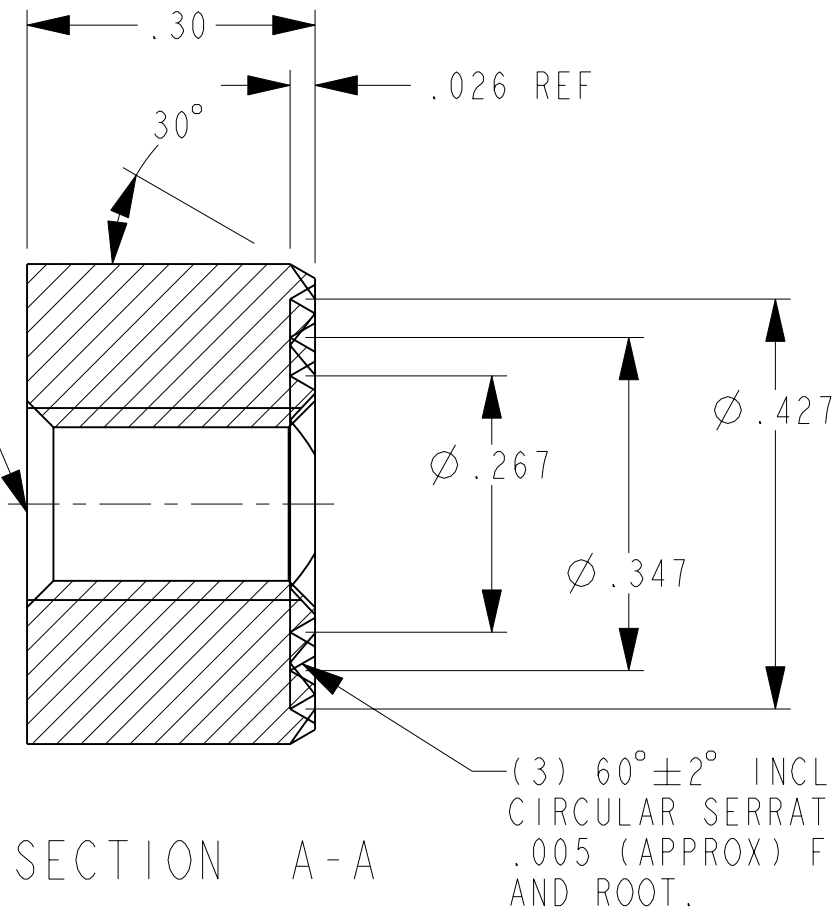
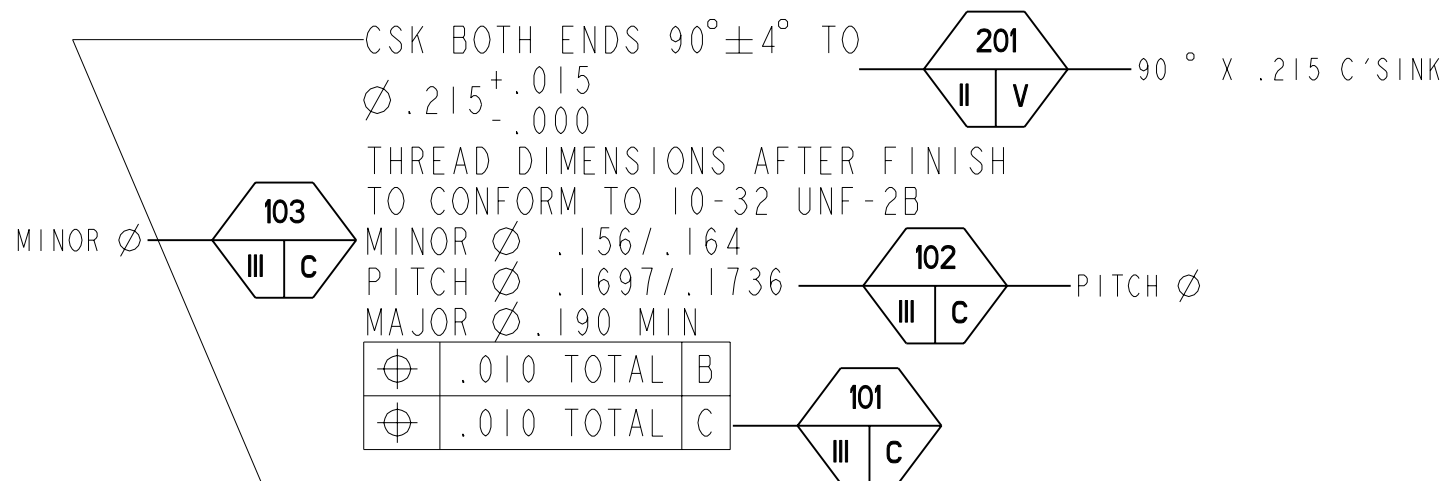
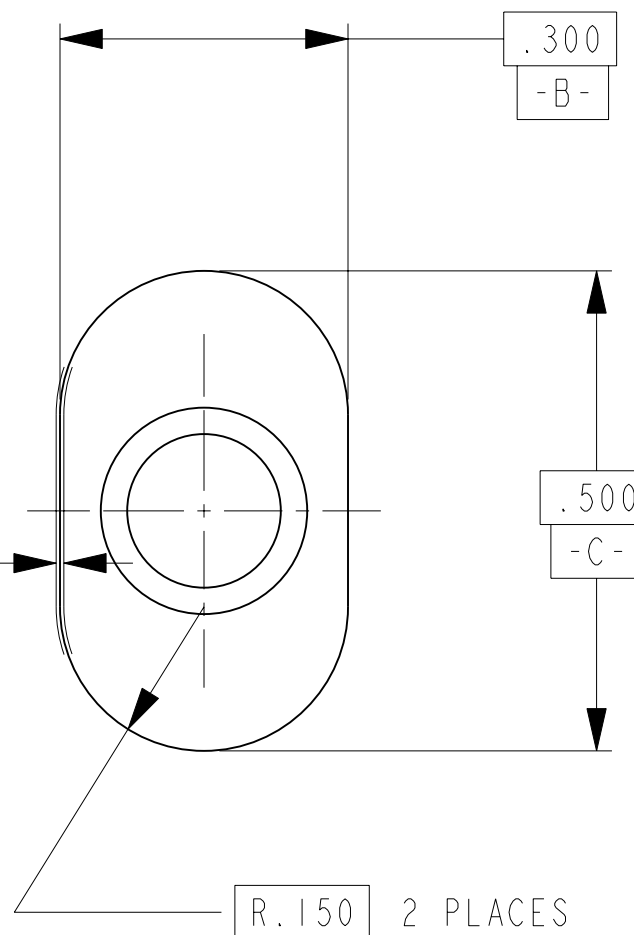
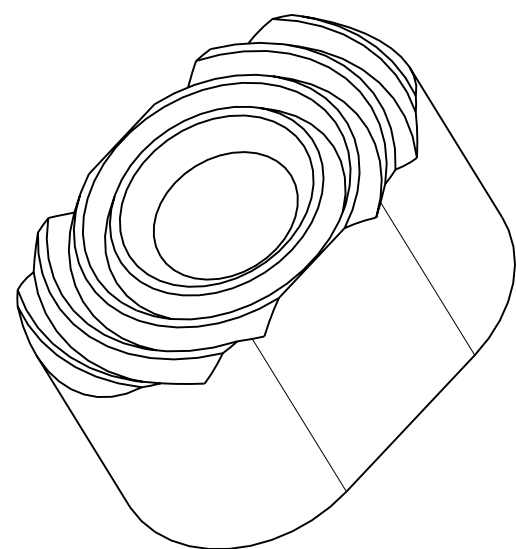
REVISIONS				
MODEL REV	DRAW REV	DESCRIPTION	DATE(YEAR-MO-DA)	APPROVED
N/A	B	NOR W9S2009 / 1980-02-13	1980-05-16	
N/A	C	NOR G0S3102 / 1990-06-28	1990-10-22	GHS
N/A	D	NOR GIS2018 / 1991-07-08	1991-10-11	RR/SR
N/A	E	NOR G6S2008 / 1996-03-28	1996-05-23	RLV
-	F	NOR L2S3042 / 2002-08-05	2002-09-26	JJW
A	G	NOR L3S3161 / 2004-03-31	2004-08-13	RLV

NOTES

- MIL-W-13855 APPLIES.
- MATERIAL: ALUMINUM ALLOY 7075-T6, ASTM B221.
- FINISH: MIL-A-8625, TYPE 3, CLASS 2, FILM THICKNESS .0010 ±.0002. FINISH SHALL BE LUSTERLESS (FLAT), APPROX BLACK, NO. 37038, TABLE IX BUT NOT LIGHTER THAN GRAY, NO. 36076, TABLE VIII OF FED-STD-595, AND SEAL
- ALL DIMENSIONS APPLY BEFORE FINISH.
- SURFACE FINISH 125/
- QUALITY ASSURANCE PROVISION REQUIREMENTS PER DRAWING 12993884 APPLY.

- 204 WORKMANSHIP
- 402 ANODIC COATING

TOLERANCE ZONE AROUND CONTOUR IS .0025



THIS DRAWING WAS GENERATED FROM A SOLID MODEL AND IS CAD MAINTAINED. CHANGES SHALL BE INCORPORATED BY THE DESIGN ACTIVITY.

CURRENT DESIGN ACTIVITY CAGE CODE 19200 US ARMY ARMAMENT RESEARCH, DEVELOPMENT AND ENGINEERING CENTER PICATINNY ARSENAL, NEW JERSEY 07806-5000

PART NO. 8448636

DISTRIBUTION STATEMENT F: FURTHER DISTRIBUTION ONLY AS DIRECTED BY US ARMY; ARDEC, AMSTA-AR-CCL-F, ROCK ISLAND, IL; 1993-09-14.

PMIC	M231	M4A1
MECHANICAL PROPERTIES	9390011	M4
YP	9349100	M16A4
TS	F9237230	M16A3
EL2	F8448604	M16A2
RA	F8448578	M16A1
BH		
RH		
	NEXT ASSY	USED ON
	APPLICATION	

DO NOT SCALE DRAWING
UNLESS OTHERWISE SPECIFIED DIMENSIONS ARE IN INCHES

TOLERANCE ON ANGLES ± 1°
2 PLACE DECIMALS ± .01
3 PLACE DECIMALS ± .005

THIRD ANGLE PROJECTION

MATL ENGR MODELED BY
B NICEWANNER

CONTRACT NUMBER	
CONTRACTOR	
DRAWN BY B NICEWANNER	DATE(YEAR-MO-DA) 1970-04-27
CHECKER J. MACON-ESERV	ENGINEER J. WINDHAM
ENGINEER L. KO	QUALITY ENGINEER E. SESE
DRAWING APPROVAL L. BRUNTON 2002-08-05	
DESIGN APPROVAL R. ELBE 2002-08-05	

DESIGN ACTIVITY US ARMY ROCK ISLAND ARSENAL ROCK ISLAND, ILLINOIS		
BUTTON, MAGAZINE RELEASE		
SIZE C	CAGE CODE 19204	DWG NO. 8448636
SCALE 5	UNIT WT. 0.003	SHEET 1 OF 1