

NOTICE: RESTRICTED AS TO USE AND DISCLOSURE

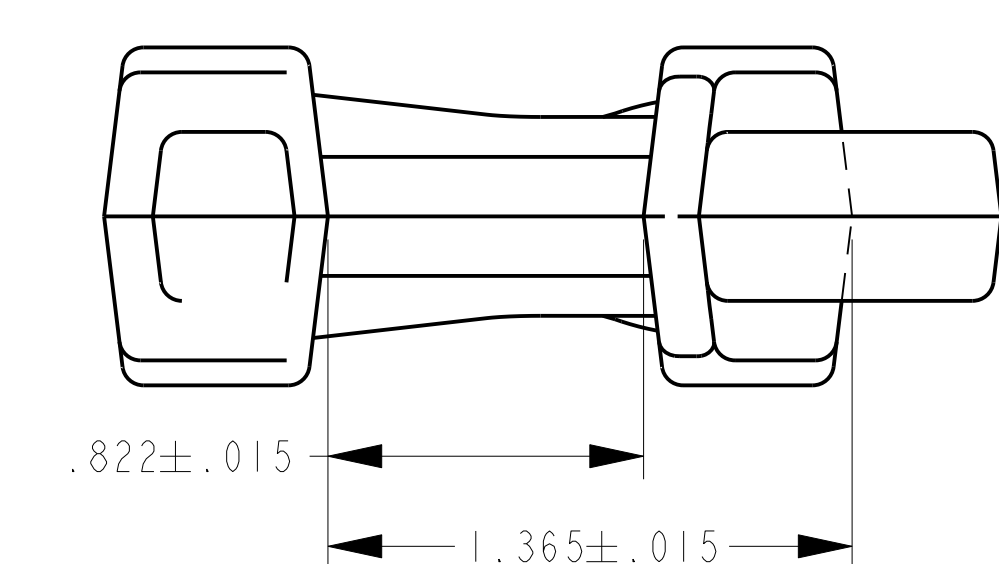
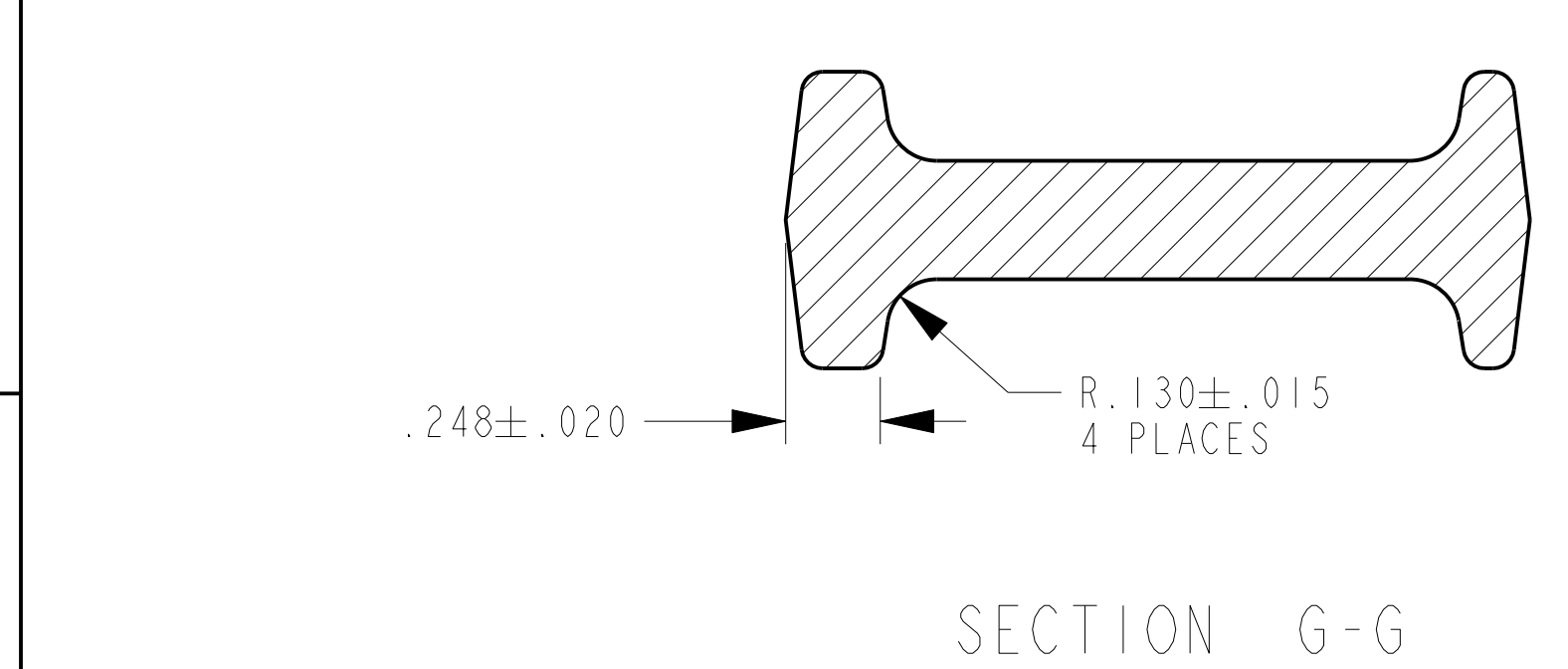
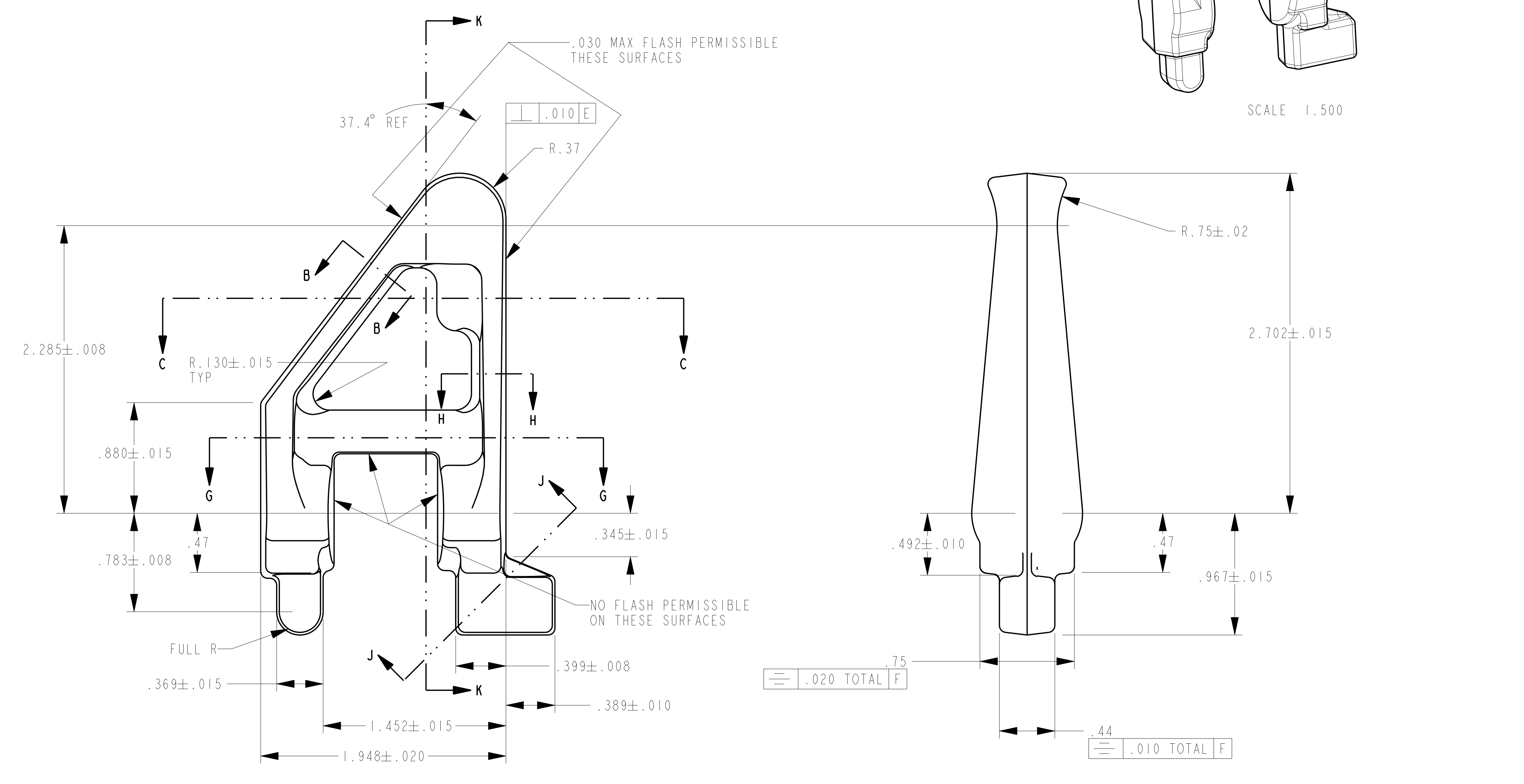
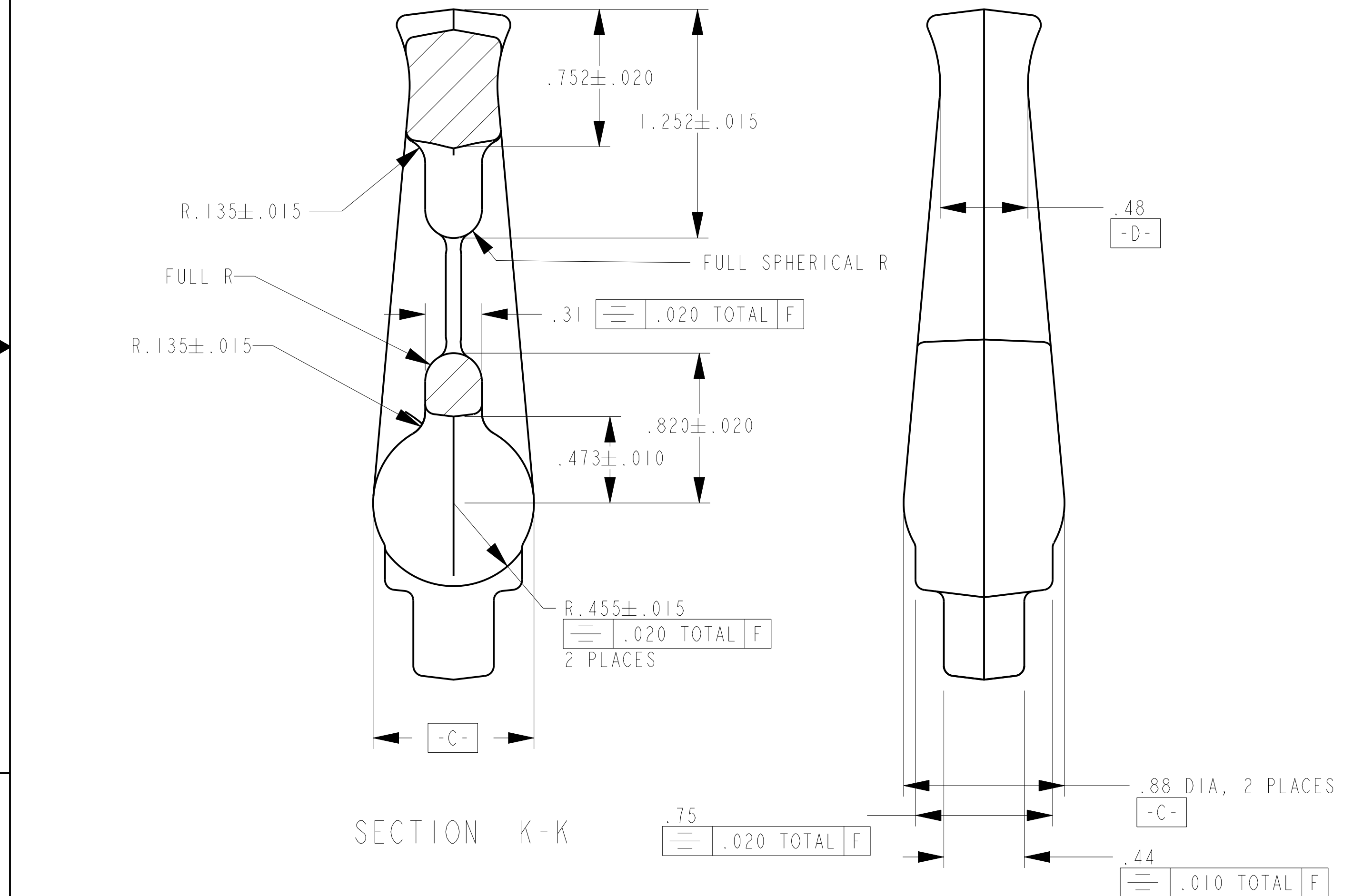
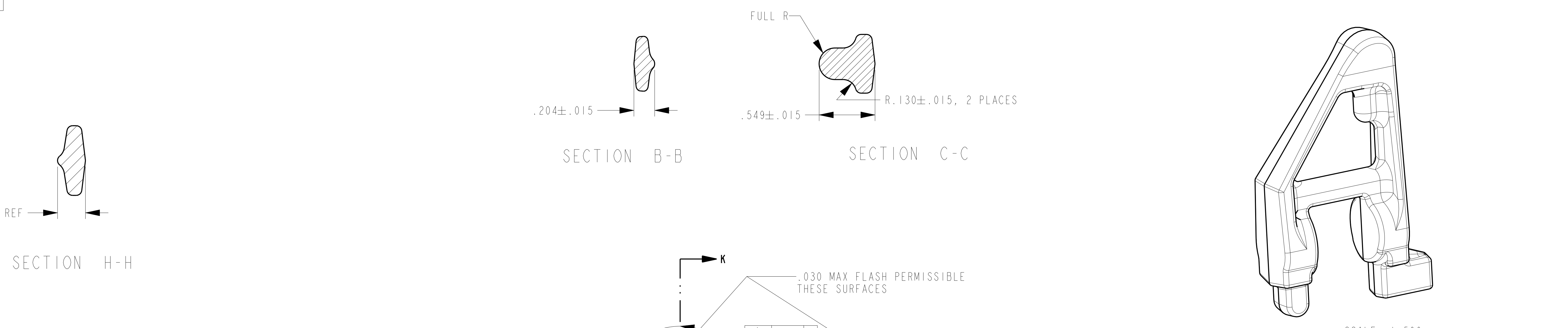
THIS ENTIRE DOCUMENT AND ALL INFORMATION IS PROPRIETARY TO COLT INC. AND SHALL NOT BE REPRODUCED, DUPLICATED OR COPIED IN WHOLE OR IN PART, DISCLOSED OR MADE AVAILABLE TO ANY OTHER PERSON, FIRM, OR CORPORATION OR OTHERWISE USED EXCEPT TO THE EXTENT NECESSARY FOR AND THEN ONLY IN CONNECTION WITH THE PREPARATION CONNECTION WITH THE PREPARATION AND/OR SUBMISSION OF BIDS OR PROPOSALS RELATED TO A PROCUREMENT BEING EFFECTED BY THE UNITED STATES GOVERNMENT OR UNDER CONTRACT WITH THE UNITED STATES GOVERNMENT. THIS DOCUMENT WILL BE DISPOSED OF IN ACCORDANCE WITH THE INSTRUCTIONS ISSUED BY THE RESPONSIBLE CONTRACTING OFFICER UPON COMPLETION OF THE PURPOSE FOR WHICH IT WAS ISSUED.

SPECIAL LICENSE RIGHTS
 THE GOVERNMENT'S RIGHTS TO USE, MODIFY, REPRODUCE, RELEASE, PERFORM, DISPLAY, OR DISCLOSE THESE DATA ARE RESTRICTED BY CONTRACT NO. DA493-97-C-108, LICENSE NO. DA493-97-C-108. ANY REPRODUCTION OF TECHNICAL DATA OR PORTIONS THEREOF MARKED WITH THIS LEGEND MUST ALSO REPRODUCE THE MARKINGS.

DUE TO GOVERNMENT GENERATED ENGINEERING CHANGES, THERE MAY BE DATA AND/OR TOLERANCES NOT PROPRIETARY TO COLT'S.

MODEL REV		DRAWING REV		DESCRIPTION	DATE(YEAR-MO-DA)	APPROVED
N/A	G	NOR	GIS3055	/ 1991-05-21	1991-06-12	
N/A	H	NOR	GIS2018	/ 1991-07-08	1991-10-11	
-	J	NOR	L1S3038	/ 2001-08-27	2002-05-24	JJW
A	K	NOR	L3S3161	/ 2004-03-31	2004-08-13	RLV
B	L	NOR	L04S5152	/ 2004-07-29	2004-11-15	RJC
C	M	NOR	L09S3083	/ 2009-06-17	2009-06-26	BMG

- NOTES
- MIL-W-13855 APPLIES.
 - MATERIAL: STEEL, AISI 1137 OR AISI 1141 PER ASTM A 576 OR ASTM A 108.
 - HARDNESS ROCKWELL C26-32.
 - PLANE [-F-] DETERMINED BY DIAMETERS [-C-] AND WIDTH [-D-].
 - ALL DIMENSIONS APPLY TO THEORETICAL SHARP CORNERS.
 - INTERNAL DRAFT ANGLES 9°.
 - EXTERNAL DRAFT ANGLES 7°.
 - FILLET AND CORNER RADII .055 ± .015, UNLESS OTHERWISE SPECIFIED.
 - MISMATCH .010 MAX.
 - QUALITY ASSURANCE PROVISION REQUIREMENTS PER DRAWING 12993884 APPLY.



CURRENT DESIGN ACTIVITY CAGE CODE 19204
 US ARMY
 ARMAMENT RESEARCH, DEVELOPMENT AND ENGINEERING CENTER
 PICATINNY ARSENAL, NEW JERSEY 07806-5000

THIS DRAWING WAS GENERATED FROM A SOLID MODEL AND IS CAD MAINTAINED. CHANGES SHALL BE INCORPORATED BY THE DESIGN ACTIVITY.

PART NO. 8448643

DISTRIBUTION STATEMENT F: FURTHER DISTRIBUTION ONLY AS DIRECTED BY US ARMY; ARDEC AMSTA-AR-CCL-F, ROCK ISLAND, IL; 1993-09-14.

PMIC		DO NOT SCALE DRAWING	CONTRACT NUMBER	DESIGN ACTIVITY
MECHANICAL PROPERTIES	M4A1 M4 M16A4	UNLESS OTHERWISE SPECIFIED DIMENSIONS ARE IN INCHES	CONTRACTOR	US ARMY ROCK ISLAND ARSENAL ROCK ISLAND, ILLINOIS
YP	12972681	TOLERANCES ON ANGLES ± 1° 2 PLACE DECIMALS ± .01 3 PLACE DECIMALS ± .005	DRAWN BY	FRONT SIGHT FORGING
TS	M16A3	THIRD ANGLE PROJECTION	DATE (YEAR-MO-DA)	
EL2	9349058		CHECKER	1970-04-27
RA	F8448566		J. WINDHAM	J. WINDHAM
BH			ENGINEER	QUALITY ENGINEER
RH			L. KO	L. CICHUCKI
	NEXT ASSY	USED ON	DRAWING APPROVAL	
			L. BRINTON	2001-08-22
	APPLICATION	MATL ENGR	DESIGN APPROVAL	
			R. ELBE	2001-08-22
				SCALE 2/1 UNIT WT. SHEET 1 OF 1