

DRAWING SIZE D 8 7 6 5 4 3 2 1

REVISIONS					
ZONE	LTR	DESCRIPTION	DATE	BY	APPROVED
K	NOR	G5S2015 950524	950801	RLV	

NOTICE: RESTRICTED AS TO USE AND DISCLOSURE

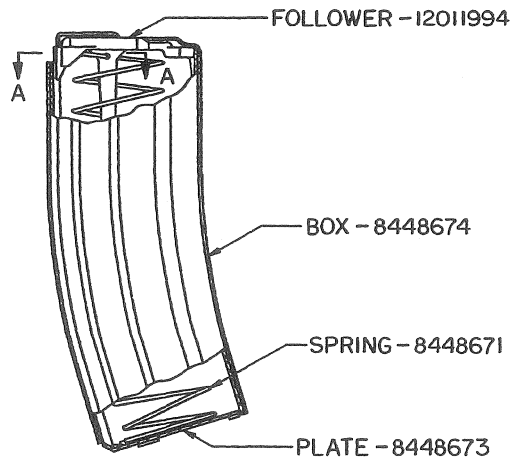
THIS ENTIRE DOCUMENT AND ALL INFORMATION THEREON IS PROPRIETARY TO COLT'S INC AND SHALL NOT BE REPRODUCED, IMITATED OR COPIED IN WHOLE OR IN PART, DECLASSIFIED OR MADE AVAILABLE TO ANY OTHER PERSON, FIRM, OR CORPORATION OR OTHERWISE USED EXCEPT TO THE EXTENT NECESSARY FOR AND THEN ONLY IN CONNECTION WITH THE PREPARATION AND / OR SUBMISSION OF BIDS OR PROPOSALS RELATED TO A PROCUREMENT BEING EFFECTED BY THE UNITED STATES GOVERNMENT OR IN CONNECTION WITH THE MANUFACTURE BY THE UNITED STATES EITHER BY THE UNITED STATES GOVERNMENT OR UNDER A CONTRACT WITH THE UNITED STATES GOVERNMENT. THIS DOCUMENT WILL BE DEPOSED OF IN ACCORDANCE WITH INSTRUCTIONS ISSUED BY THE RESPONSIBLE CONTRACTING OFFICER UPON COMPLETION OF THE PURPOSE FOR WHICH IT WAS ISSUED.

NOTES:

- MIL-W-13855 APPLIES.
- SPRING FORCE WITH FOLLOWER DEPRESSED .250 INCH SHALL 3.0 LBS. ± .5 LB.
- EACH MAGAZINE ASSEMBLY SHALL BE CAPABLE OF WITHSTANDING A 30 ROUND FUNCTION FIRING TEST WITHOUT MALFUNCTIONING IN THE FOLLOWING WEAPONS:
 A - M16A2 (9349000), M16A1 (8448500), M16 (8448600) OR M4 CARBINE (9390000) UTILIZING THE BOLT CATCH CONFIGURATION OF DRAWING D8448628 REV A OR LATER.
 B - M231 FPW (9327045) UTILIZING THE CONFIGURATION OF DRAWING D9327059 AND USING M193 BALL AMMUNITION.
 AFTER FIRING THE 30TH ROUND FROM THE MAGAZINE, THE MAGAZINE FOLLOWER SHALL ACTUATE THE WEAPON BOLT CATCH TO HOLD THE BOLT IN THE OPEN POSITION.



SECTION A-A



CURRENT DESIGN ACTIVITY CASE CODE 18200
 U.S. ARMY
 ARMAMENT RESEARCH, DEVELOPMENT AND ENGINEERING CENTER
 PITCHBURY ARSENAL, NEW JERSEY 07866-2200

SEE SEPARATE PARTS LIST - 8448670

PART NO. 8448670

PMIC			DO NOT SCALE DRAWING UNLESS OTHERWISE SPECIFIED DIMENSIONS ARE IN INCHES TOLERANCES ON DECIMAL FRACTION 2 PL ± * 3 PL ± *	CONTRACT NUMBER	DESIGN ACTIVITY
MECHANICAL PROPERTIES	9390000	M4		CONTRACTOR	ROCK ISLAND ARSENAL ROCK ISLAND, IL
YP	9349000	M16A2		DRAWN BY	RJC 700605
TS	9327045	M231 FPW	THIRD ANGLE PROJECTION	CHECKER	J. S. HENRY
ELR	8448600	M16		DRAWING APPROVAL	F. GILHOOLY
RA	8448500	M16A1		DESIGN APPROVAL	R. S. HENRY
BH	NEXT ASSY	USED ON	MAT. ENGR	SIZE	CASE CODE
RH	APPLICATION			D 19204	8448670
				SCALE	1/1

DISTRIBUTION STATEMENT F FURTHER DISTRIBUTION ONLY AS DIRECTED BY ARDEC, SMCAR-ESW, ROCK ISLAND, IL, ASOIC-AR-911025.

SMCAR FORM 68, 1 DEC 87(TEMP), REPLACES SMCAR FORM 68, 1 MAR 87(TEMP), WHICH MAY BE USED UNTIL EXHAUSTED