

NOTICE: RESTRICTED AS TO USE AND DISCLOSURE

THIS ENTIRE DOCUMENT AND ALL INFORMATION IS PROPRIETARY TO COLT INC. AND SHALL NOT BE REPRODUCED, DUPLICATED OR COPIED IN WHOLE OR IN PART, DISCLOSED OR MADE AVAILABLE TO ANY OTHER PERSON, FIRM, OR CORPORATION OR OTHERWISE USED EXCEPT TO THE EXTENT NECESSARY FOR AND THEN ONLY IN CONNECTION WITH THE PREPARATION CONNECTION WITH THE PREPARATION AND/OR SUBMISSION OF BIDS OR PROPOSALS RELATED TO A PROCUREMENT BEING EFFECTED BY THE UNITED STATES EITHER BY THE UNITED STATES GOVERNMENT OR UNDER CONTRACT WITH THE UNITED STATES GOVERNMENT. THIS DOCUMENT WILL BE DISPOSED OF IN ACCORDANCE WITH THE INSTRUCTIONS ISSUED BY THE RESPONSIBLE CONTRACTING OFFICER UPON COMPLETION OF THE PURPOSE FOR WHICH IT WAS ISSUED.

SPECIAL LICENSE RIGHTS
THE GOVERNMENT'S RIGHTS TO USE, MODIFY, REPRODUCE, RELEASE, PERFORM, DISPLAY, OR DISCLOSE THESE DATA ARE RESTRICTED BY CONTRACT NO. DAAF03-67-C-108. LICENSE NO. DAAF03-67-C-108. ANY REPRODUCTION OF TECHNICAL DATA OR PORTIONS THEREOF MARKED WITH THIS LEGEND MUST ALSO REPRODUCE THE MARKINGS.

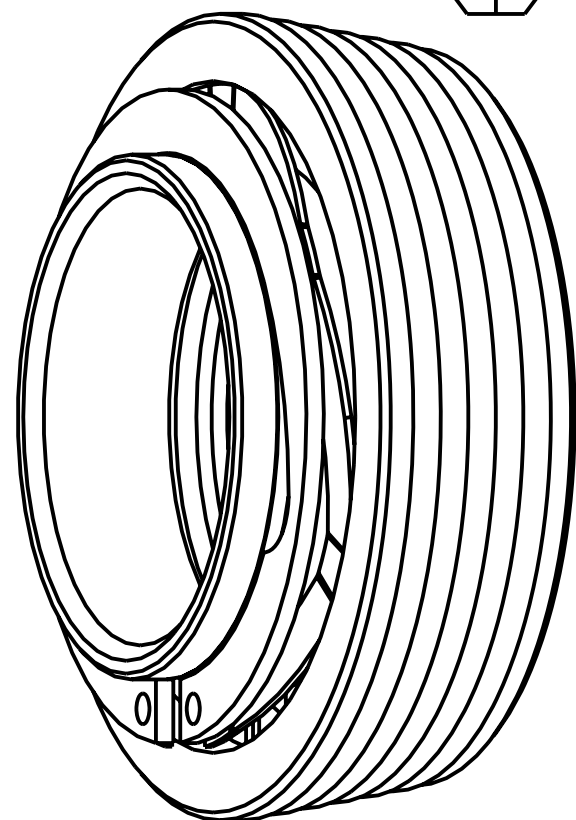
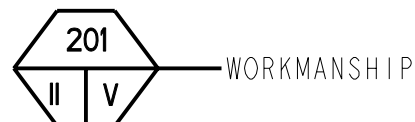
DUE TO GOVERNMENT GENERATED ENGINEERING CHANGES, THERE MAY BE DATA AND/OR TOLERANCES NOT PROPRIETARY TO COLT'S.

REVISIONS

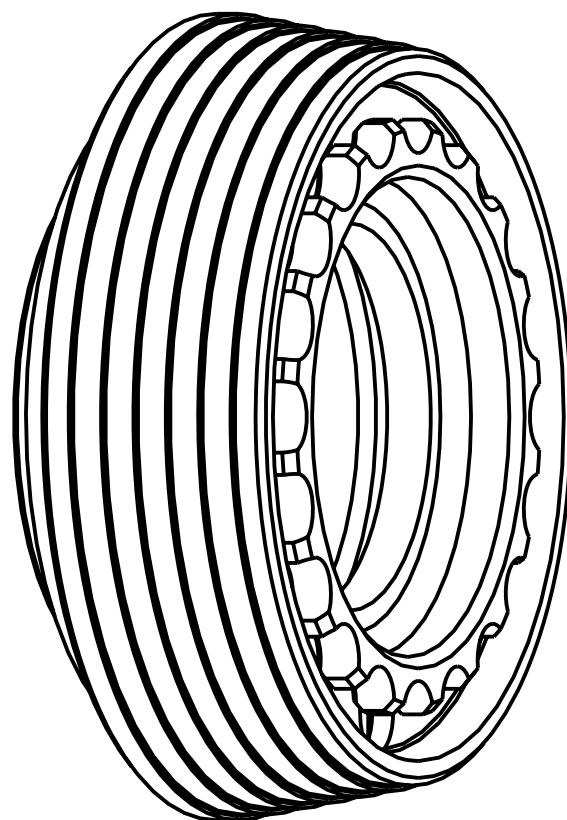
MODEL REV	DRAW REV	DESCRIPTION	DATE(YEAR-MO-DA)	APPROVED
N/A	D	NOR G0S3010 / 1990-02-28	1990-09-06	
N/A	E	NOR GIS2018 / 1991-07-08	1991-10-11	
N/A	F	NOR LIS2102 / 2001-08-23	2001-09-26	RLV
-	G	NOR LIS3057 / 2001-11-19	2002-06-12	JJW
A	H	NOR L06S3020 / 2006-03-29	2006-05-02	BMG
B	J	NOR L09S3027 / 2009-04-17	2009-05-04	BMG

NOTES

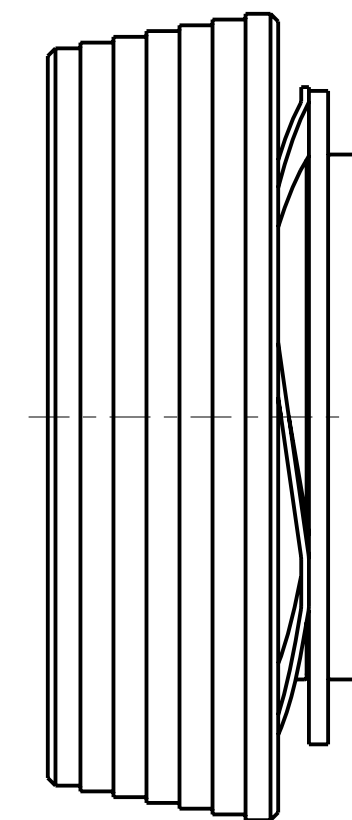
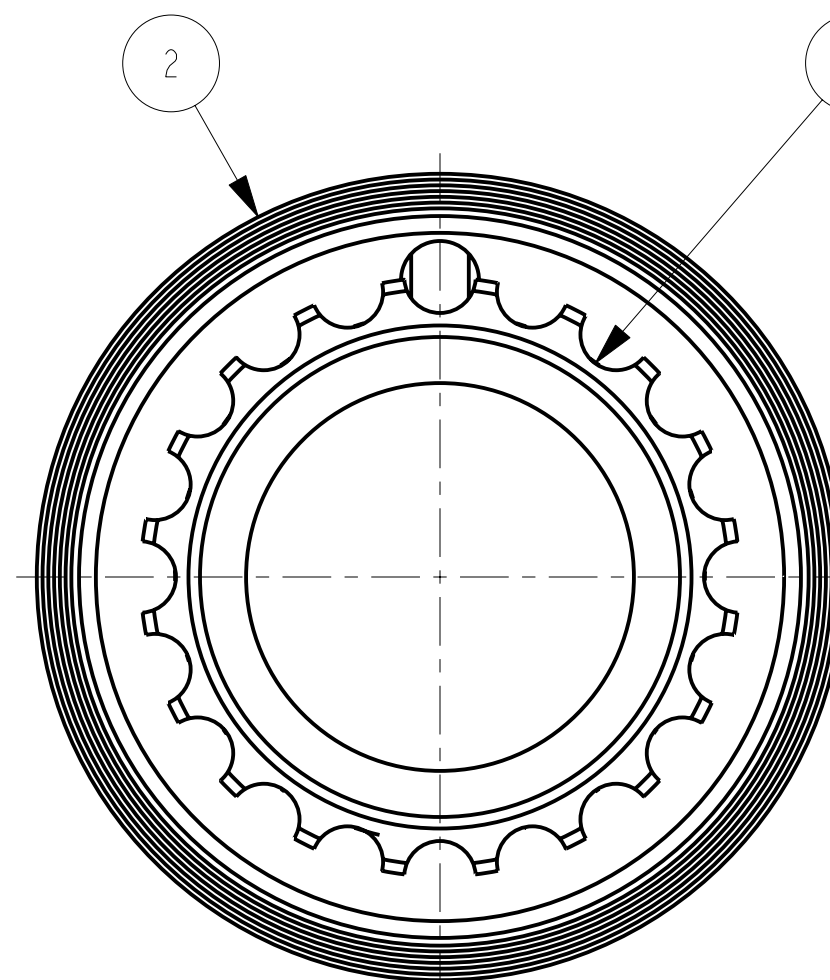
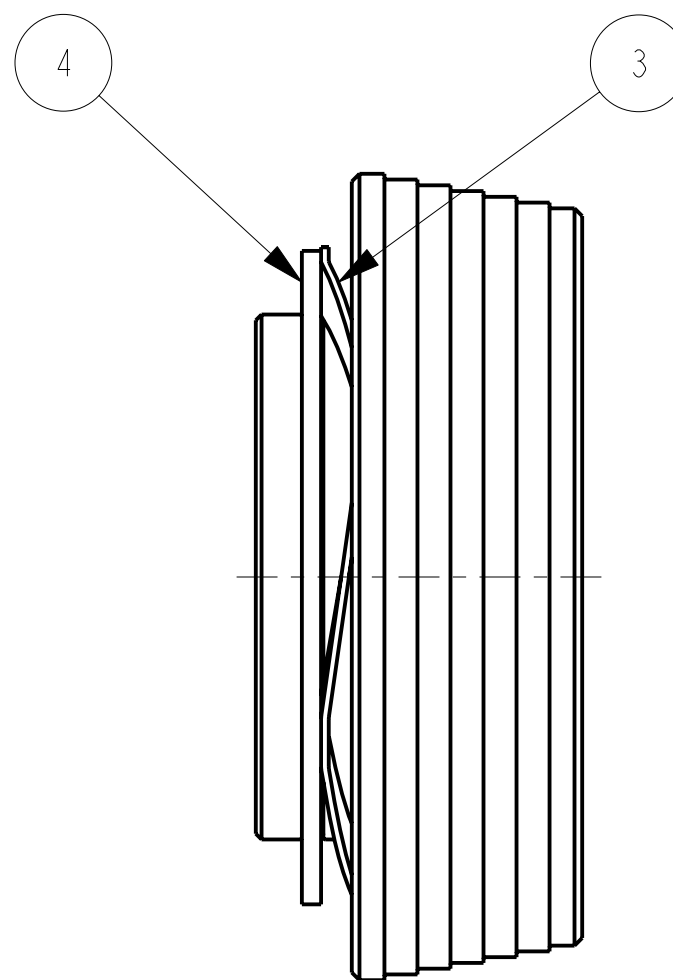
- MIL-STD-100 APPLIES.
- QUALITY ASSURANCE PROVISION REQUIREMENTS PER DRAWING NUMBER 12993884 APPLY.



ISOMETRIC VIEW 1



ISOMETRIC VIEW 2



ITEM OR FIND NO.	QTY. REQ.	CAGE CODE	PART NO. OR IDENTIFYING NO.	NOMENCLATURE OR DESCRIPTION	REMARKS
4	1	05047	AER10X137000GF6LFI	INVERTED EXTERNAL RETAINING RING	PER ASME B18.27 AND ASME B18.24
3	1	19204	8448555	SPRING WELD ASSEMBLY, HANDGUARD SLIP RING	
2	1	19204	8448712	SLIP RING, HAND GUARD	
1	1	19204	8448553	NUT, BARREL	

CURRENT DESIGN ACTIVITY CAGE CODE 19200
US ARMY
ARMAMENT RESEARCH, DEVELOPMENT AND ENGINEERING CENTER
PICATINNY ARSENAL, NEW JERSEY 07806-5000

THIS DRAWING WAS GENERATED FROM A SOLID MODEL AND IS CAD MAINTAINED. CHANGES SHALL BE INCORPORATED BY THE DESIGN ACTIVITY.

PART NO. 8448711

DISTRIBUTION STATEMENT F: FURTHER DISTRIBUTION ONLY AS DIRECTED BY US ARMY ARDEC; AMSTA-AR-CCL-F, ROCK ISLAND, IL; 1993-09-14.

PMIC	9327230	M231	DO NOT SCALE DRAWING UNLESS OTHERWISE SPECIFIED DIMENSIONS ARE IN INCHES	CONTRACT NUMBER		DESIGN ACTIVITY US ARMY ROCK ISLAND ARSENAL ROCK ISLAND, ILLINOIS
	12997148	M4A1		CONTRACTOR		
	12972680	M4		DRAWN BY S. GALL - ESERV		
MECHANICAL PROPERTIES	9390001	M16A4	TOLERANCE ON ANGLES ± ° 2 PLACE DECIMALS ± 3 PLACE DECIMALS ±	CHECKER G. STRAHL	ENGINEER J. WINDHAM	BARREL NUT ASSEMBLY
YP	12973010	M16A3		ENGINEER L. KO	QUALITY ENGINEER L. CICHUCKI	
TS	9349050	M16A2		DRAWING APPROVAL L. BRUNTON 2001-11-16		
EL2	8448522	M16A1	THIRD ANGLE PROJECTION	DESIGN APPROVAL R. ELBE 2001-11-16		SIZE C 19204
RA	8448601	M16		SCALE 2.000		CAGE CODE 19204
BH	NEXT ASSY USED ON		MATL ENGR	UNIT WT. 0.169		DWG NO. 8448711
RH	APPLICATION		MODELED BY S. GALL - ESERV	SHEET 1 OF 1		