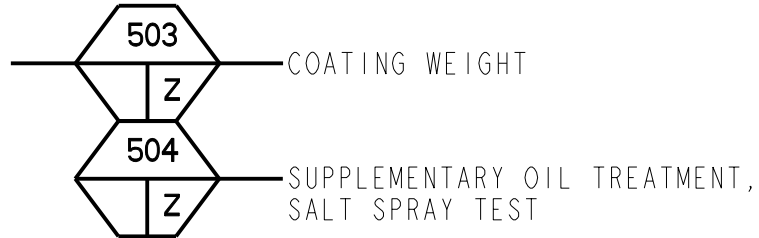


NOTES

- MIL-W-13855 APPLIES.
- AFTER ASSEMBLY BUT PRIOR TO APPLICATION OF PROTECTIVE FINISH, GRIT BLAST TO PRODUCE A NON-REFLECTIVE MATTE SURFACE.
- PROTECTIVE FINISH: 5.3.1.2 OF MIL-STD-171.
- QUALITY ASSURANCE PROVISION REQUIREMENTS PER DRAWING 129993884 APPLY.



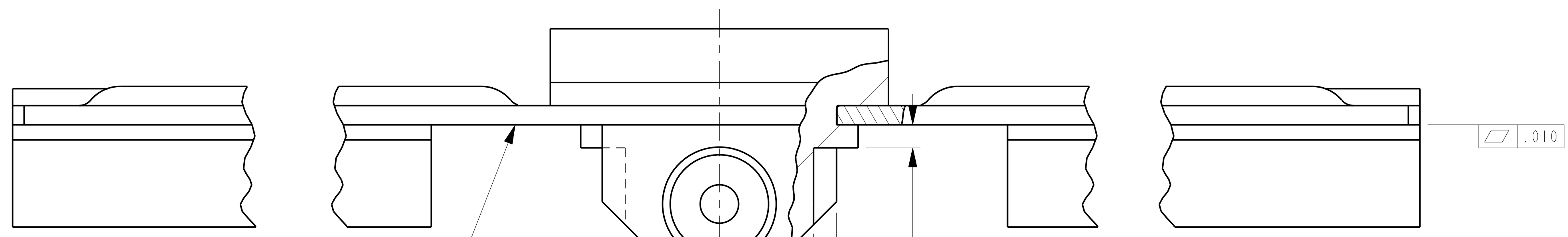
NOTICE: RESTRICTED AS TO USE AND DISCLOSURE

THIS ENTIRE DOCUMENT AND ALL INFORMATION IS PROPRIETARY TO COLT INC. AND SHALL NOT BE REPRODUCED, DUPLICATED OR COPIED IN WHOLE OR IN PART, DISCLOSED OR MADE AVAILABLE TO ANY OTHER PERSON, FIRM, OR CORPORATION OR OTHERWISE USED EXCEPT TO THE EXTENT NECESSARY FOR AND THEN ONLY IN CONNECTION WITH THE PREPARATION CONNECTION WITH THE PREPARATION AND/OR SUBMISSION OF BIDS OR PROPOSALS RELATED TO A PROCUREMENT BEING EFFECTED BY THE UNITED STATES EITHER BY THE UNITED STATES GOVERNMENT OR UNDER CONTRACT WITH THE UNITED STATES GOVERNMENT. THIS DOCUMENT WILL BE DISPOSED OF IN ACCORDANCE WITH THE INSTRUCTIONS ISSUED BY THE RESPONSIBLE CONTRACTING OFFICER UPON COMPLETION OF THE PURPOSE FOR WHICH IT WAS ISSUED.

SPECIAL LICENSE RIGHTS
 THE GOVERNMENT'S RIGHTS TO USE, MODIFY, REPRODUCE, RELEASE, PERFORM, DISPLAY, OR DISCLOSE THESE DATA ARE RESTRICTED BY CONTRACT NO. DAAFO3-67-C-108, LICENSE NO. DAAFO3-67-C-108. ANY REPRODUCTION OF TECHNICAL DATA OR PORTIONS THEREOF MARKED WITH THIS LEGEND MUST ALSO REPRODUCE THE MARKINGS.

DUE TO GOVERNMENT GENERATED ENGINEERING CHANGES, THERE MAY BE DATA AND/OR TOLERANCES NOT PROPRIETARY TO COLT'S.

REVISIONS				
MODEL REV	DRAWING REV	DESCRIPTION	DATE(YEAR-MO-DA)	APPROVED
N/A	-	PRODUCT BASELINE REPLACES WITH CHANGE DRAWING 8448526 SEE ERR HOR 20748	1972-09-15	LB
N/A	A	NOR W9S2009 / 1980-02-13	1980-05-16	
N/A	B	NOR W3S3123 / 1983-07-07	1983-08-16	
N/A	C	NOR GIS3071 / 1991-06-26	1991-08-21	
N/A	D	NOR GIS2018 / 1991-07-08	1991-10-11	
-	E	NOR LIS3048 / 2001-09-25	2002-05-22	JJW
A	F	NOR L04S3055 / 2004-10-27	2004-12-15	RJC
B	G	NOR L09S3182 / 2010-01-11	2010-01-22	BMG

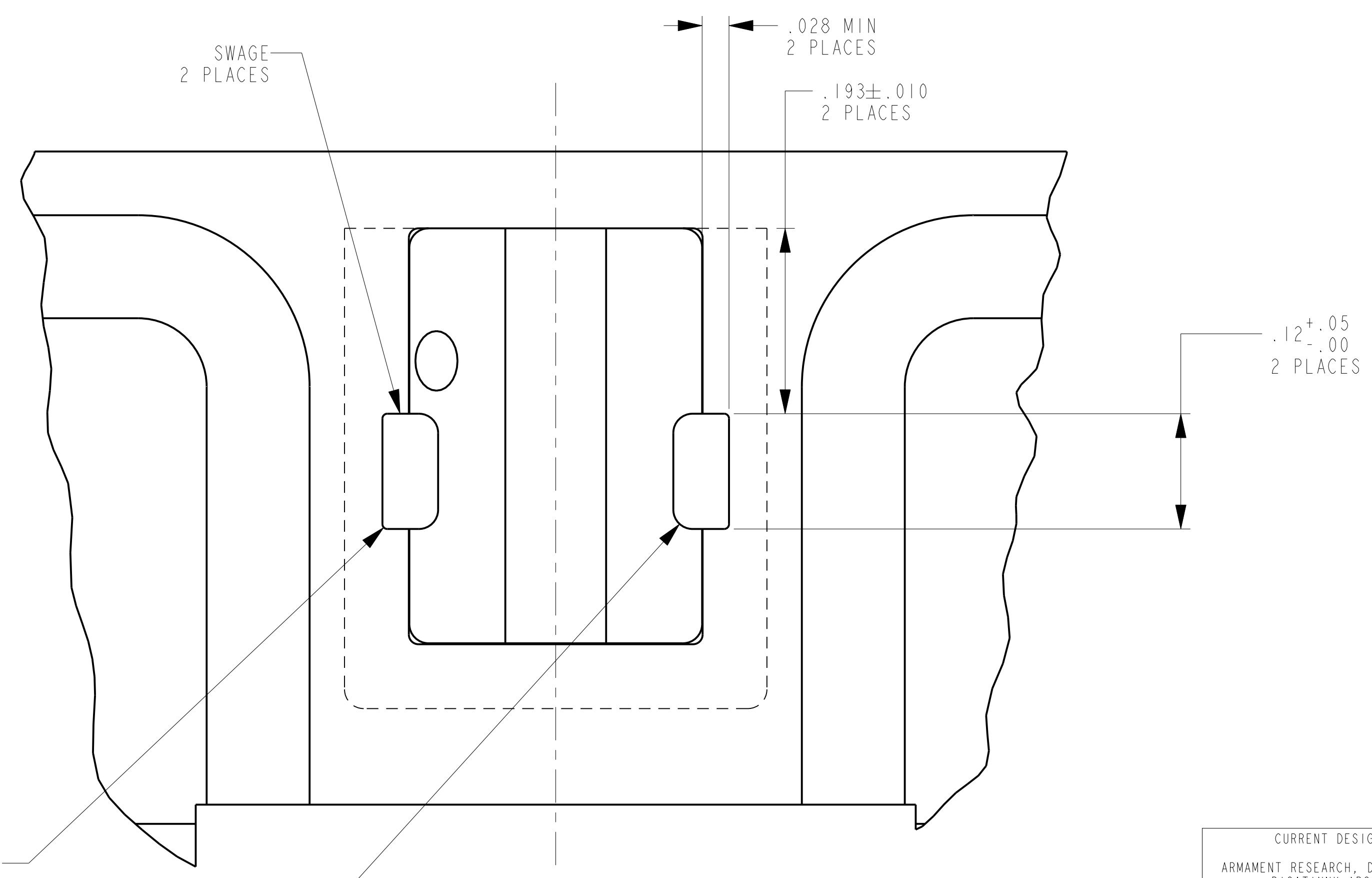


COVER, EJECTION PORT-8448785

HOUSING, COVER LATCH-8448784
 (NO RELATIVE MOVEMENT BETWEEN HOUSING AND COVER PERMISSIBLE AFTER SWAGING)

.030 MIN
2 PLACES

.030 MAX
2 PLACES



SWAGE
2 PLACES

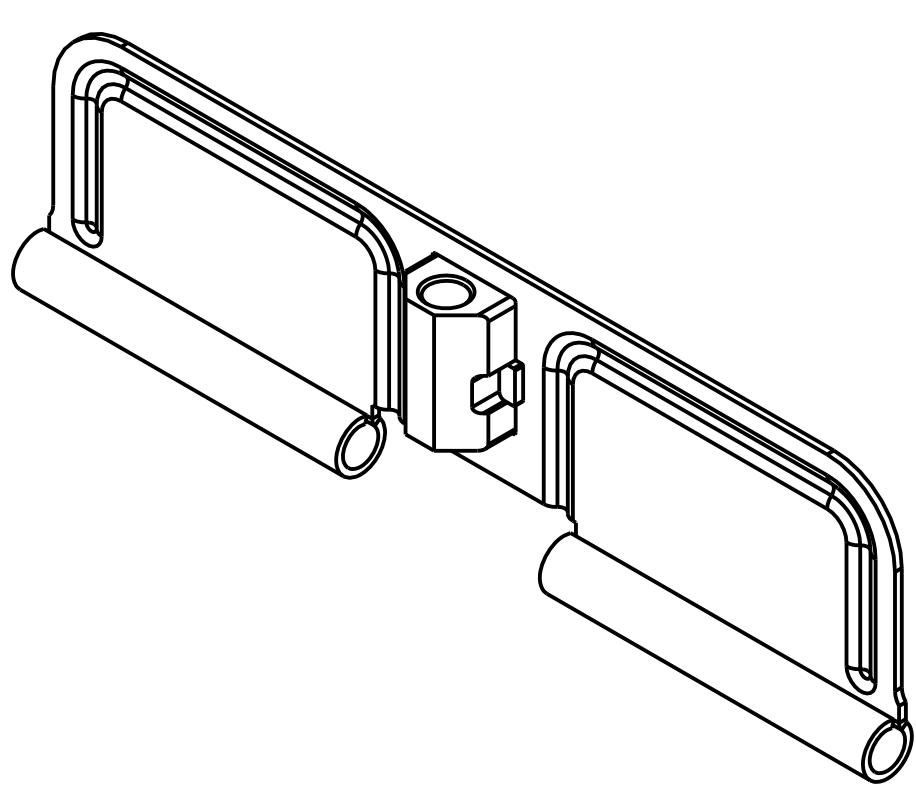
.028 MIN
2 PLACES

.193±.010
2 PLACES

.12±.05
2 PLACES

R.005 MIN
4 PLACES

R.020 MIN
4 PLACES



ISO VIEW
SCALE 2.000

CURRENT DESIGN ACTIVITY CAGE CODE 19200
 US ARMY
 ARMAMENT RESEARCH, DEVELOPMENT AND ENGINEERING CENTER
 PICATINNY ARSENAL, NEW JERSEY 07806-5000

THIS DRAWING WAS GENERATED FROM A SOLID MODEL AND IS CAD MAINTAINED. CHANGES SHALL BE INCORPORATED BY THE DESIGN ACTIVITY.

PART NO. 8448783

DISTRIBUTION STATEMENT F: FURTHER DISTRIBUTION ONLY AS DIRECTED BY US ARMY ARDEC; AMSTA-AR-CCL-F, ROCK ISLAND, IL; 1993-09-14.

PMIC	M231	DO NOT SCALE DRAWING UNLESS OTHERWISE SPECIFIED DIMENSIONS ARE IN INCHES	CONTRACT NUMBER		DESIGN ACTIVITY US ARMY ROCK ISLAND ARSENAL ROCK ISLAND, ILLINOIS
	M4A1		CONTRACTOR		
MECHANICAL PROPERTIES	M4	TOLERANCES ON ANGLES ± ° 2 PLACE DECIMALS ± 3 PLACE DECIMALS ±	DRAWN BY T. KULIG - ESERV	DATE(YEAR-MO-DA) 1972-09-15	EJECTION PORT COVER AND LATCH HOUSING ASSEMBLY
	M16A4		CHECKER G. STRAHL	ENGINEER J. WINDHAM	
YP	M16A3	THIRD ANGLE PROJECTION	ENGINEER L. KO	QUALITY ENGINEER L. CICHUCKI	SIZE D
TS	M16A2		DRAWING APPROVAL L. BRUNTON 2001-09-25		CAGE CODE 19204
EL2	M16A1		DESIGN APPROVAL R. ELBE 2001-09-25		DWG NO. 8448783
RA	8448525	MATL ENGR	MODELED BY S. GALL - ESERV		SCALE 10.000
BH	NEXT ASSY	USED ON	APPLICATION		UNIT WT. 0.033
RH					SHEET 1 OF 1