



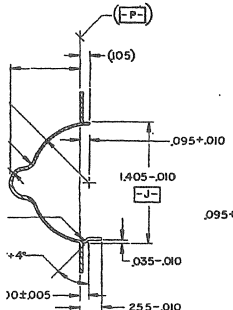
8

7

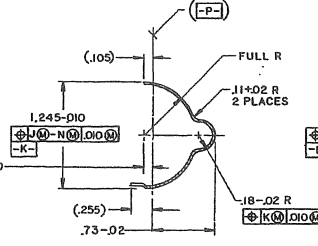
6

5

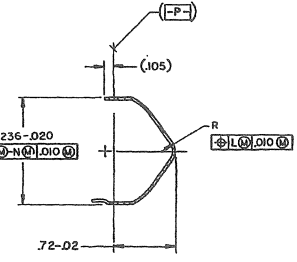
4



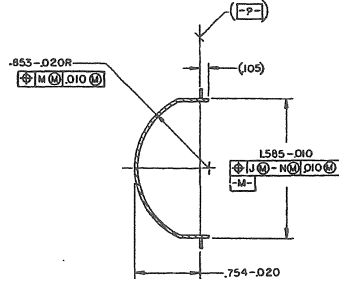
SECTION A-A  
NOTE 5



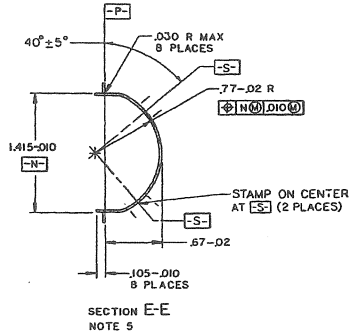
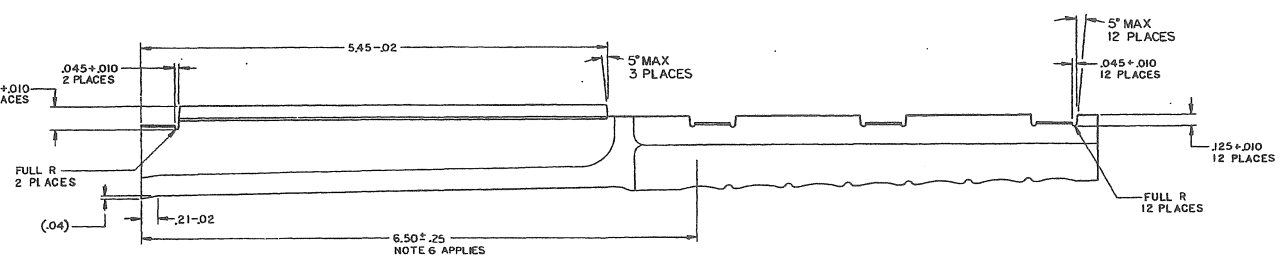
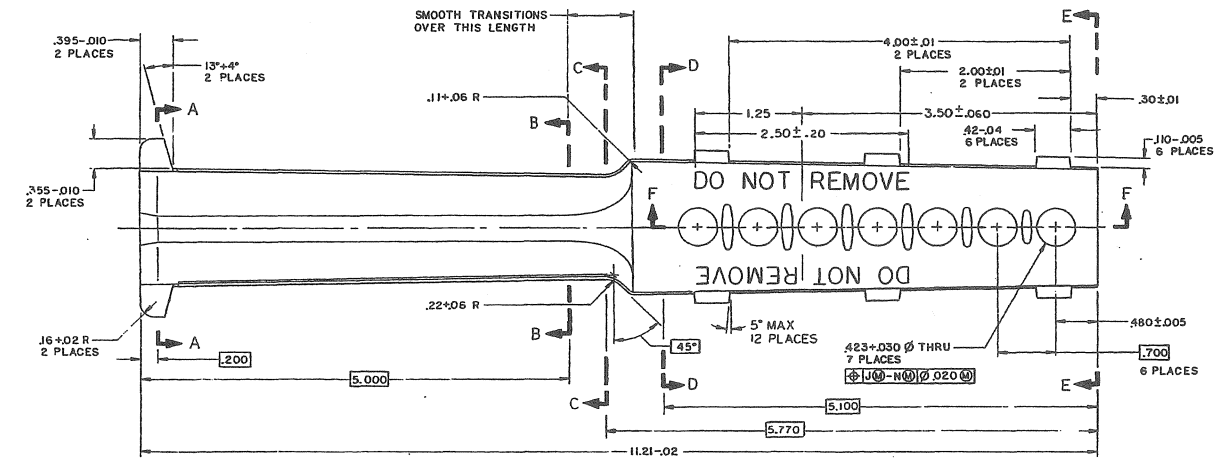
SECTION B-B  
NOTE 5



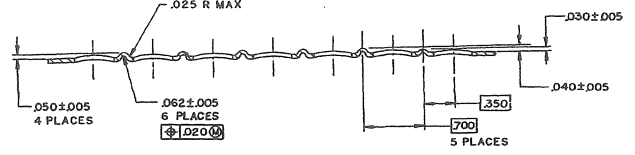
SECTION C-C  
NOTE 5



SECTION D-D  
NOTE 5



SECTION E-E  
NOTE 5



SECTION F-F

REV	DESCRIPTION	DATE	APPROVAL
-	PRODUCTION RELEASE	820614	
-	ERRING 52015		
A	ADWWS3116 783-06-21 [ECP W45 3128 / 83-09-21] [ECP W45 3007 / 84 05 09]	840608	R APB
B	INOR W253258 / 82-12-30	84-09-04	
C	NOR W550080 / 84-11-15	850402	
D	NOR W55 3000 / 85-03-08 [ECP W55 0032 / 85-03-25]	85-06-23	
E	NOR W558005 85-12-12	860304	
F	INOR W558004 / 860204 [ECP GIS3101 / 860201]	860215	
G	INOR GIS3172 / 910626	910722	
H	INOR GIS3158 911118	920305	

F-2 / 2

MECHANICAL PROPERTIES		DO NOT SCALE DRAWING		ORIGINAL DATE OF DRAWING		PART NO. 9349061	
TP	TS	UNLESS OTHERWISE SPECIFIED DIMENSIONS ARE IN INCHES		82-02-26	CHECKER	U.S. ARMY ARMAMENT RESEARCH AND DEVELOPMENT CENTER	
TEL	RA	TOLERANCES ON DECIMALS =		19200	ENGR	DOUGLASS AIR FORCE CENTER	
FR	BH	FRACTIONS =		19200	ENGR	LINER, HANDGUARD	
9349059	MIL S.A.S.	ANGLES		19200	ENGR	FSCM NO 9349061	
REV ASST	USED ON	APPLICATION		19200	ENGR	SCALE 2/1 UNIT IN	
				19200	ENGR	SHEET 1 OF 1	

October 14, 2004 12:29 AM

8

7

6

5

4

1934906

A

2-FR