

NOTICE: RESTRICTED AS TO USE AND DISCLOSURE

THIS ENTIRE DOCUMENT AND ALL INFORMATION IS PROPRIETARY TO COLT INC. AND SHALL NOT BE REPRODUCED, DUPLICATED OR COPIED IN WHOLE OR IN PART, DISCLOSED OR MADE AVAILABLE TO ANY OTHER PERSON, FIRM, OR CORPORATION OR OTHERWISE USED EXCEPT TO THE EXTENT NECESSARY FOR AND THEN ONLY IN CONNECTION WITH THE PREPARATION CONNECTION WITH THE PREPARATION AND/OR SUBMISSION OF BIDS OR PROPOSALS RELATED TO A PROCUREMENT BEING EFFECTED BY THE UNITED STATES EITHER BY THE UNITED STATES GOVERNMENT OR UNDER CONTRACT WITH THE UNITED STATES GOVERNMENT. THIS DOCUMENT WILL BE DISPOSED OF IN ACCORDANCE WITH THE INSTRUCTIONS ISSUED BY THE RESPONSIBLE CONTRACTING OFFICER UPON COMPLETION OF THE PURPOSE FOR WHICH IT WAS ISSUED.

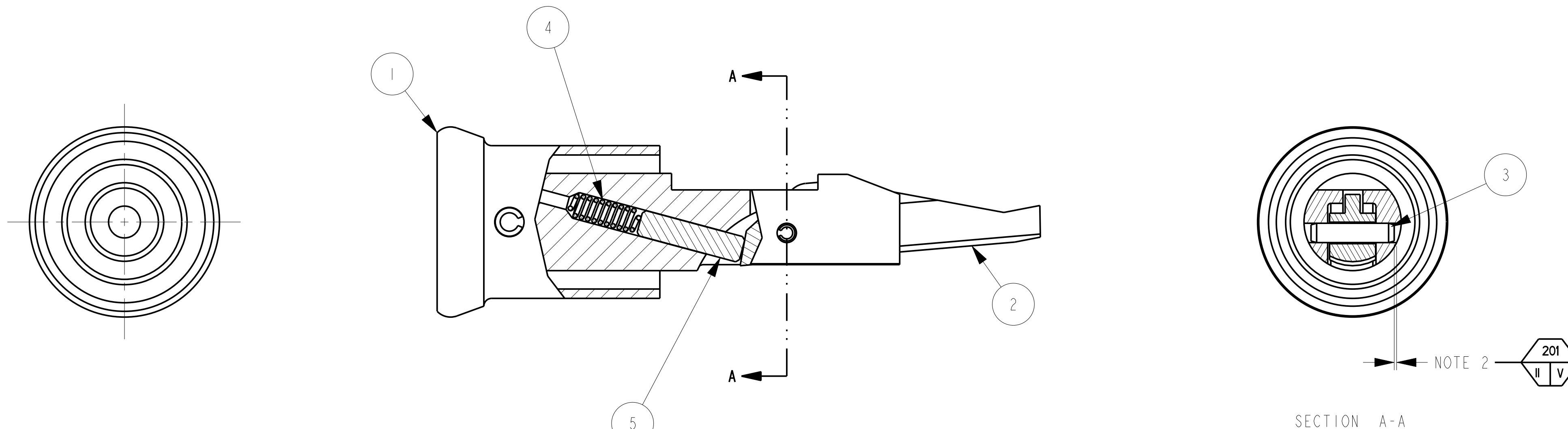
SPECIAL LICENSE RIGHTS THE GOVERNMENT'S RIGHTS TO USE, MODIFY, REPRODUCE, RELEASE, PERFORM, DISPLAY, OR DISCLOSE THESE DATA ARE RESTRICTED BY CONTRACT NO. DAAFO3-67-C-108, LICENSE NO. DAAFO3-67-C-108. ANY REPRODUCTION OF TECHNICAL DATA OR PORTIONS THEREOF MARKED WITH THIS LEGEND MUST ALSO REPRODUCE THE MARKINGS.

DUE TO GOVERNMENT GENERATED ENGINEERING CHANGES, THERE MAY BE DATA AND/OR TOLERANCES NOT PROPRIETARY TO COLT'S.

REVISIONS				
MODEL REV	DRAWING REV	DESCRIPTION	DATE(YEAR-MO-DA)	APPROVED
N/A	D	NOR G7S3018 / 1987-03-12	1988-01-14	
N/A	E	NOR G1S2018 / 1991-07-08	1991-10-11	
-	F	NOR L1S3048 / 2001-09-25	2002-05-22	JJW
A	G	NOR L3S3161 / 2004-03-31	2004-08-13	RLV
B	H	NOR L08S3049 / 2008-04-30	2008-06-13	BMG
C	J	NOR L09S3130 / 2009-09-08	2009-09-10	BMG

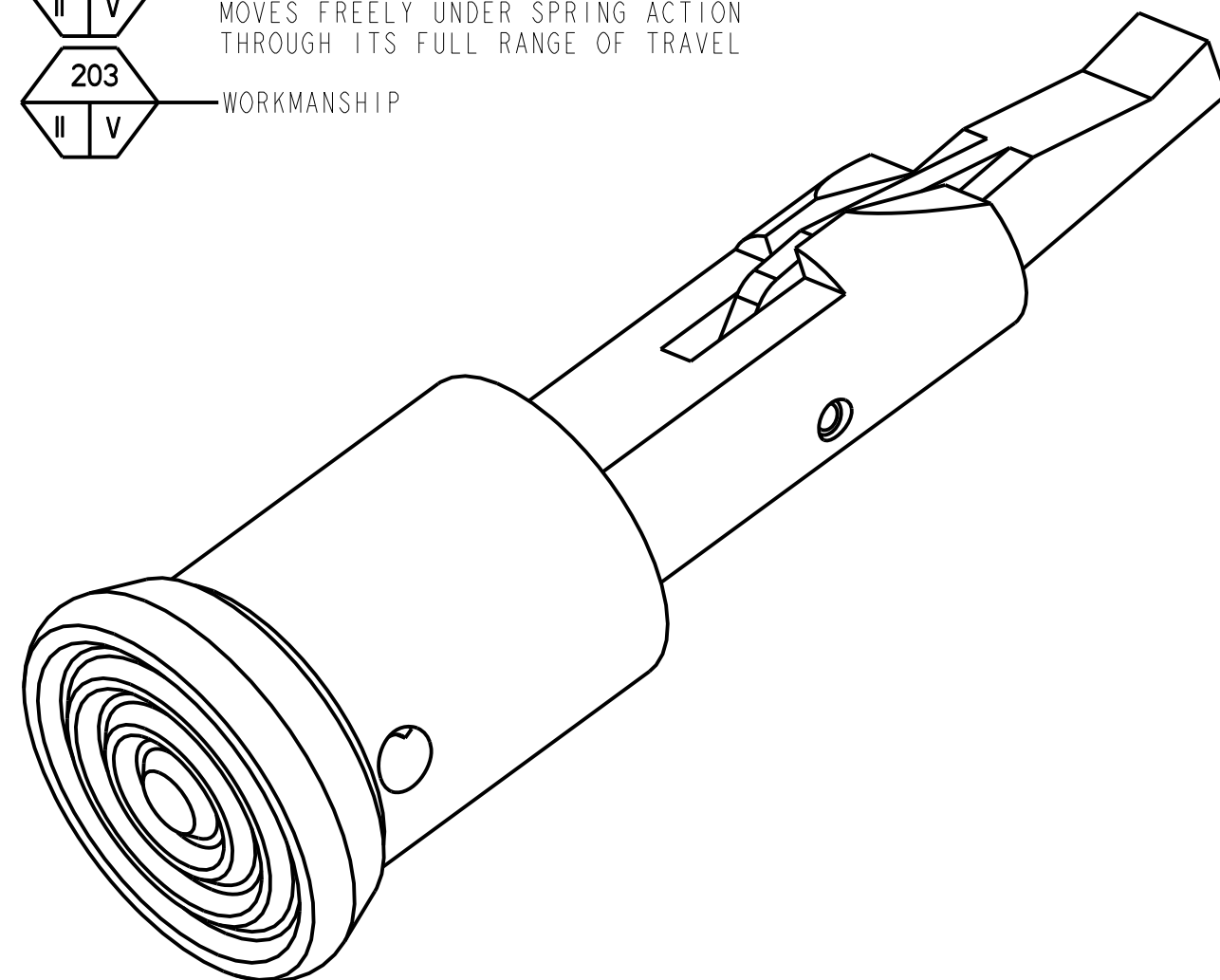
NOTES:

- MIL-W-13855 AND ANSI Y14.5-1973 APPLY.
- INSERT PIN SO THAT ENDS ARE FLUSH OR BELOW SURFACE ON BOTH SIDES AS SHOWN.
- QUALITY ASSURANCE PROVISION REQUIREMENTS PER DRAWING NUMBER 12993884 APPLY.



202 FORWARD ASSIST PAWL 8448543 MOVES FREELY UNDER SPRING ACTION THROUGH ITS FULL RANGE OF TRAVEL

203 WORKMANSHIP



ISOMETRIC VIEW

ITEM OR FIND NO.	QTY. REQ.	CAGE CODE	PART NO. OR IDENTIFYING NO.	NOMENCLATURE OR DESCRIPTION	REMARKS
5	1	19204	8448544	DETENT, PAWL	
4	1	19204	8448542	SPRING, BOLT	
3	1	19204	8448521-2	PIN, SPRING	
2	1	19204	8448543	PAWL, FORWARD ASSIST	
1	1	19200	9349085	PLUNGER ASSEMBLY	

THIS DRAWING WAS GENERATED FROM A SOLID MODEL AND IS CAD MAINTAINED. CHANGES SHALL BE INCORPORATED BY THE DESIGN ACTIVITY.

PART NO. 9349086

DISTRIBUTION STATEMENT F: FURTHER DISTRIBUTION ONLY AS DIRECTED BY US ARMY ARDEC; AMSTA-AR-CCL-F, ROCK ISLAND, IL; 1993-09-14.

PMIC			DO NOT SCALE DRAWING UNLESS OTHERWISE SPECIFIED DIMENSIONS ARE IN INCHES	CONTRACT NUMBER		DESIGN ACTIVITY US ARMY ARMAMENT RESEARCH, DEVELOPMENT AND ENGINEERING CENTER PICATINNY ARSENAL, NEW JERSEY 07806-5000
	M4A1			CONTRACTOR		
MECHANICAL PROPERTIES	12973011	M4	TOLERANCES ON ANGLES ± ° 2 PLACE DECIMALS ± 3 PLACE DECIMALS ±	DRAWN BY S. GALL - ESERV	DATE(YEAR-MO-DA) 1982-02-26	FORWARD ASSIST ASSEMBLY
	12972675	M16A4		CHECKER G. STRAHL	ENGINEER J. WINDHAM	
YP	9390029	M16A3	THIRD ANGLE PROJECTION	ENGINEER L. KO	QUALITY ENGINEER L. CICHUCKI	SIZE D
TS	9349062	M16A2	M4A1	DRAWING APPROVAL L. BRUNTON 2001-09-25	DESIGN APPROVAL R. ELBE 2001-09-25	
EL2	8448523	M16A1		NEXT ASSY	MODELED BY S. GALL - ESERV	SCALE 4.000
RA	APPLICATION		UNIT WT. 0.0478			
BH				MATL ENGR	MODELED BY	
RH						