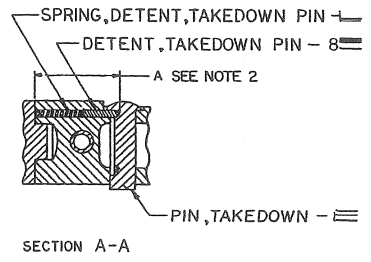
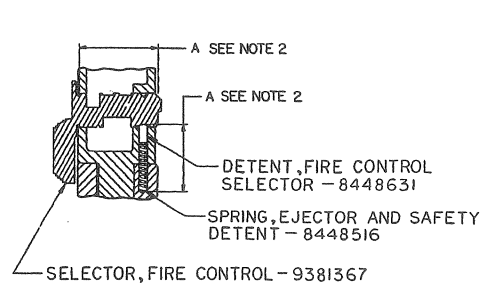
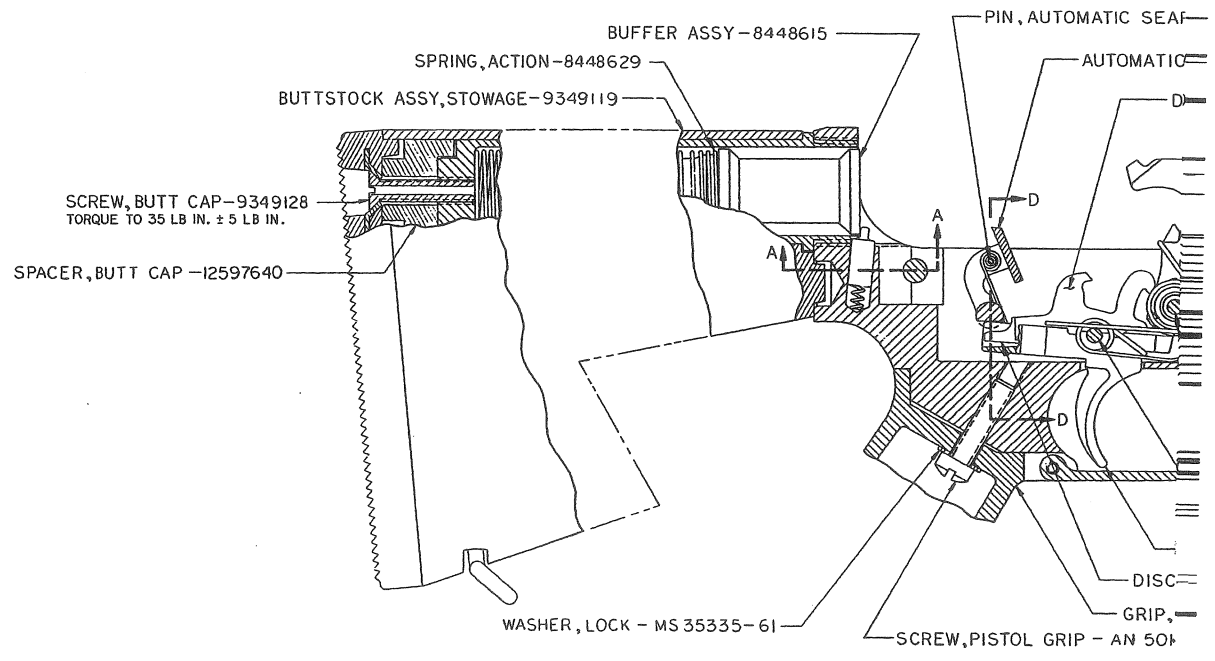
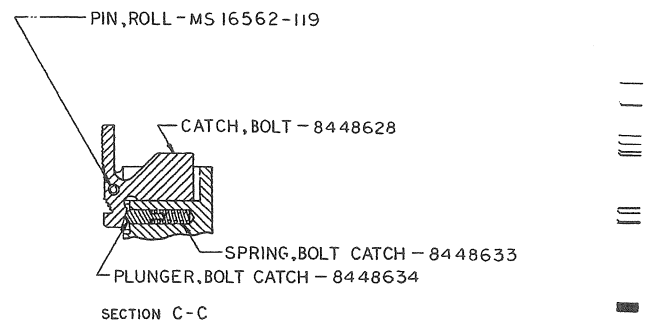


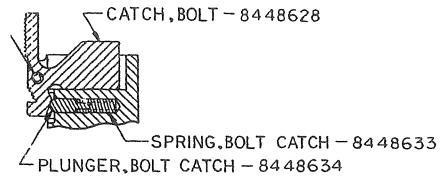
THIS DRAWING AND ALL INFORMATION THEREON IS PROPRIETARY TO CMC. NO PART SHALL BE REPRODUCED, COPIED OR USED IN ANY MANNER, INCLUDING BUT NOT LIMITED TO, REPRODUCTION, TRANSMISSION, OR STORAGE IN ANY FORM OR BY ANY MEANS, WITHOUT THE WRITTEN PERMISSION OF CMC. THIS DOCUMENT IS THE PROPERTY OF CMC AND SHALL BE RETURNED TO CMC UPON COMPLETION OF THE WORK FOR WHICH IT WAS ISSUED.

- NOTES--
- 1 - SPEC. MIL-W-13855 AND ANSI Y14.5-73 APPLY.
  - 2 - APPLY MIL-L-46000 (LSA) OR MIL-L-63460 (CLP) AT ASSEMBLY OVER A.



PIN,ROLL - MS 16562-119

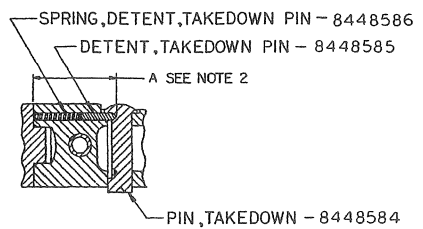
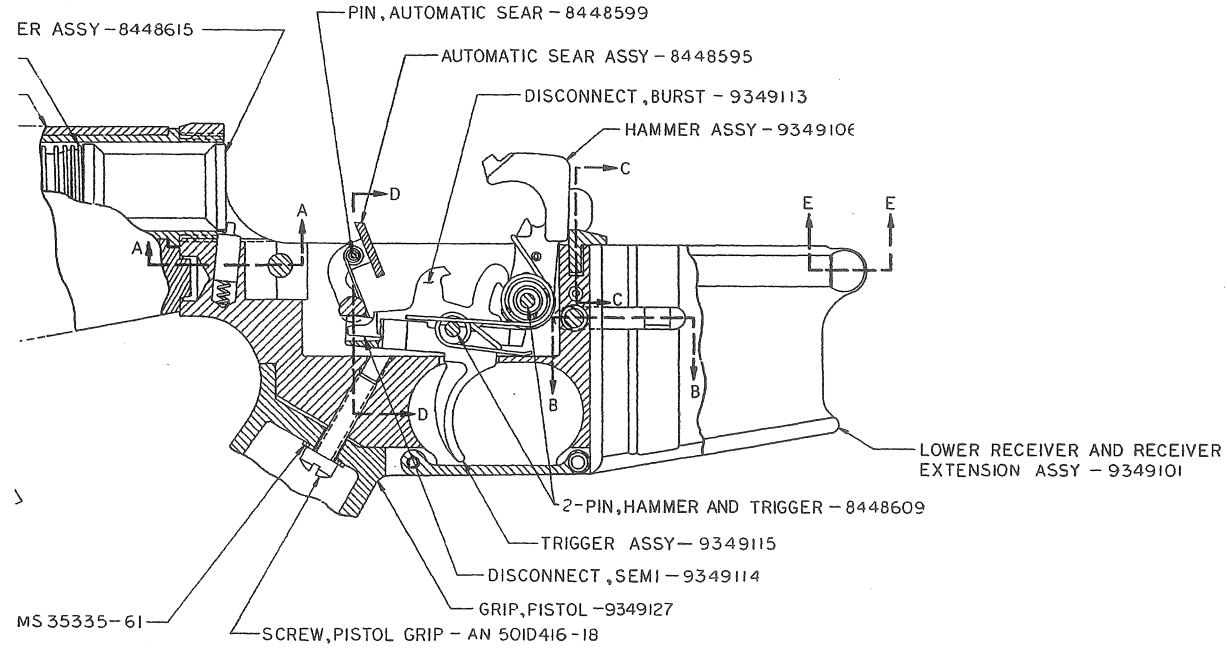
REV	DESCRIPTION	DATE	APPROVAL
-	PRODUCTION RELEASE EPRW252-013	820614	<i>[Signature]</i>
A	NOR W250020 82-06-09	8202 03	<i>R.H.H.</i>
B	NOR W353148/83-11-14	84-01-27	<i>[Signature]</i>
C	NOR W450020/84-11-15	850402	<i>[Signature]</i>
D	NOR G759452 870722	880119	<i>[Signature]</i>
E	NOR W558004/860204	890213	<i>[Signature]</i>
F	NOR G353248/930701	930828	<i>[Signature]</i>
G	NOR G65317 / 960719	961204	FET



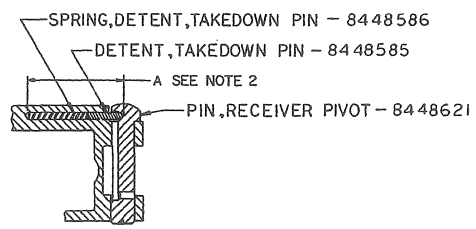
SECTION C-C



SECTION B-B



SECTION A-A



SECTION E-E

SAFETY

FOR ENGINEERING PARTS LIST SEE PL9349100

PART NO. 9349100

MECHANICAL PROPERTIES		DO NOT SCALE DRAWING		ORIGINAL DATE OF DRAWING		U.S. ARMY ARMAMENT RESEARCH AND DEVELOPMENT CENTER	
SP	UTS	UNLESS OTHERWISE SPECIFIED	UNLESS INDICATED OTHERWISE	DATE	BY	ENGINEER	OTHER
SP	UTS	TOLERANCES ON DIMENSIONS	FRACTIONS - ANGLES	82-06-09	EJZ	CHECKER	NEW
SP	UTS						
9349100	M16A2						
NEXT ASSY	USED IN:						
APPLICATION				SIGNATURE		FSCM NO.	
				<i>[Signature]</i>		J 19200	
						9349100	
				SCALE 2/1		SHEET 1 OF 1	

J9349100 REV G F-2/2

9349100