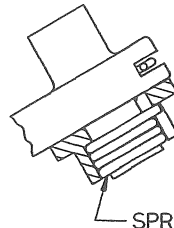


NOTICE: RESTRICTED AS TO USE AND DISCLOSURE

THIS ENTIRE DOCUMENT AND ALL INFORMATION THEREIN IS PROPRIETARY TO COLTS INC AND SHALL NOT BE REPRODUCED, DUPLICATED OR COPIED IN WHOLE OR IN PART, UNLESS SO INDICATED OR UNLESS APPROVED BY COLTS INC. THIS DOCUMENT IS THE PROPERTY OF COLTS INC AND IS LOANED TO YOU BY COLTS INC. IT IS TO BE USED ONLY IN CONNECTION WITH THE PROGRAMS AND/OR THE SERVICES OF COLTS INC OR PERSONNEL RELATED TO A PROGRAM OR SERVICE PROVIDED BY COLTS INC TO THE UNITED STATES GOVERNMENT OR IN CONNECTION WITH THE MANUFACTURE IN THE UNITED STATES BY THE UNITED STATES GOVERNMENT OR UNDER A CONTRACT WITH THE UNITED STATES GOVERNMENT. THIS DOCUMENT WILL BE DESTROYED IN ACCORDANCE WITH RESTRICTIONS ISSUED BY THE RESPONSIBLE CONTRACTING OFFICER UPON COMPLETION OF THE PURPOSE FOR WHICH IT WAS ISSUED.

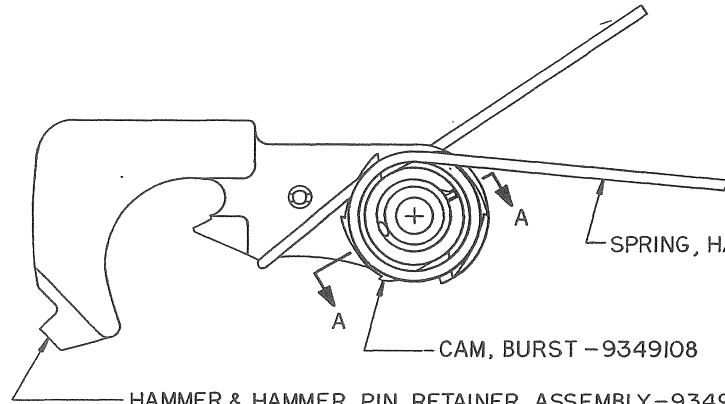
REVISIONS			
SYM	DESCRIPTION	DATE	APPROVAL
—	PRODUCTION RELEASE ERRW252013	820614	<i>[Signature]</i>
A	NOR W450030/84-11-15	850402	<i>[Signature]</i>

NOTES:—
1 — SPEC. MIL-W-13855 AND ANSI Y14.5-73 APPLY.



SPRING, CLUTCH-9349109

SECTION A-A
WITH (SPRING, HAMMER-9349107) REMOVED



SPRING, HAMMER-9349107

CAM, BURST - 9349108

HAMMER & HAMMER PIN RETAINER ASSEMBLY-9349110

FOR ENGINEERING PARTS LIST SEE PL 9349106

PART NO. 9349106

MECHANICAL PROPERTIES		DO NOT SCALE DRAWING UNLESS OTHERWISE SPECIFIED		ORIGINAL DATE OF DRAWING 82-02-26		U.S. ARMY ARMAMENT RESEARCH AND DEVELOPMENT CENTER DOVER, NEW JERSEY 07801	
VP		DIMENSIONS ARE IN INCHES		DRAFTSMAN	CHECKER	HAMMER ASSEMBLY	
TS		TOLERANCES ON DECIMALS ±		DHB	JWH		
SL		FRACTIONS ±		ENGR			
RA		ANGLES ±		ENGR			
EN				ENGR			
9349100	MIGATE!			<i>[Signature]</i>		SIZE	FSCM NO
NEXT ASSY	USED ON			<i>[Signature]</i>		D	19200
APPLICATION						SCALE	4 / 1
						UNIT WT.	
						SHEET	1 OF 1