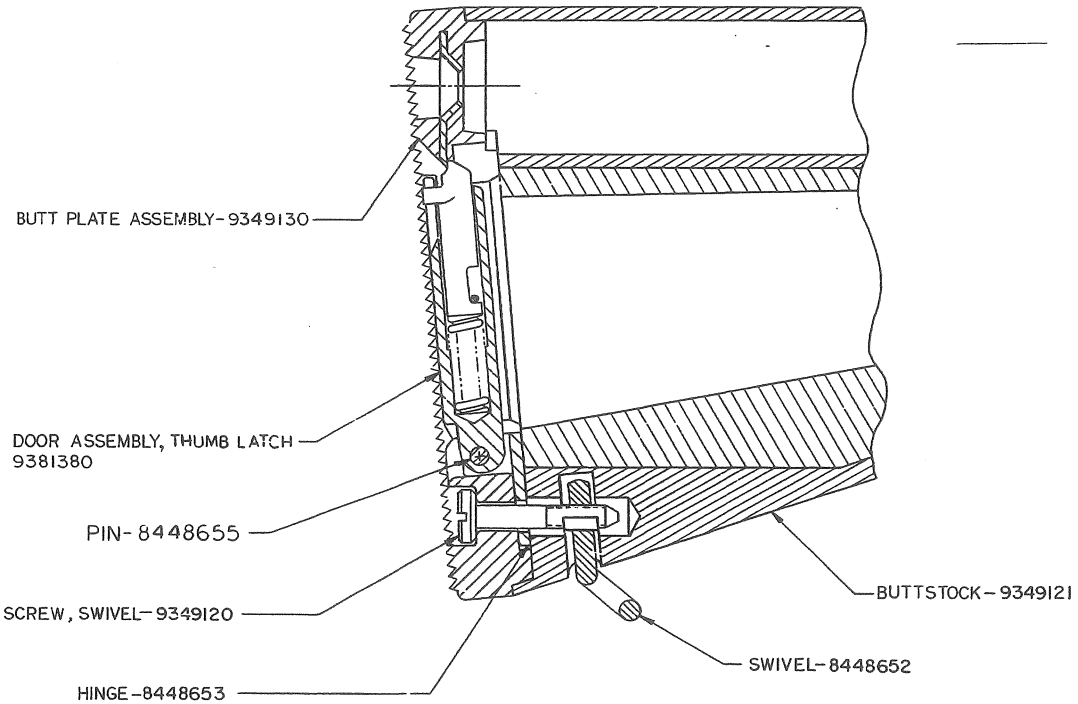


**NOTICE: RESTRICTED AS TO USE AND DISCLOSURE**  
 THIS ENTIRE DOCUMENT AND ALL INFORMATION THEREIN IS PROPRIETARY TO COLTS INC AND SHALL NOT BE REPRODUCED, DUPLICATED OR COMPILED IN WHOLE OR IN PART, DISCLOSED OR MADE AVAILABLE TO ANY OTHER PERSON, FIRM OR CORPORATION OR OTHERWISE USED EXCEPT TO THE EXTENT NECESSARY FOR AND TO THE BUILT IN CONNECTION WITH THE PROPRIETATION AND/OR SUBMISSION OF BIDS OR PROPOSALS RELATED TO A PROCUREMENT ORDER EFFECTED BY THE UNITED STATES GOVERNMENT OR IN CONNECTION WITH THE MANUFACTURE IN THE UNITED STATES EITHER BY THE UNITED STATES GOVERNMENT OR UNDER A CONTRACT WITH THE UNITED STATES GOVERNMENT. THIS DOCUMENT SHALL BE FORWARDED BY AN ACCORDANCE WITH INSTRUCTIONS ISSUED BY THE RESPONSIBLE CONTRACTING OFFICER UPON COMPLETION OF THE PURPOSE FOR WHICH IT WAS ISSUED.

REVISIONS			
SYM	DESCRIPTION	DATE	APPROVAL
—	PRODUCTION RELEASE ERRW252013	820614	<i>[Signature]</i>
A	NOR W353149/83-11-14	840210	<i>[Signature]</i>
B	NOR W253258/82-12-30	840904	<i>[Signature]</i>
C	NOR W450030/84-11-15	850402	<i>[Signature]</i>
D	NOR W550127/851106	871107	<i>[Signature]</i>
E	NOR W558004/860204	890215	<i>[Signature]</i>

NOTES: —  
 1— SPEC. MIL-W-13855 AND ANSI Y14.5-73 APPLY.



SEE SEPARATE PARTS LIST-9349119

PART NO. 9349119

MECHANICAL PROPERTIES		DO NOT SCALE DRAWING UNLESS OTHERWISE SPECIFIED		ORIGINAL DATE OF DRAWING 82-06-09		U S ARMY ARMAMENT RESEARCH AND DEVELOPMENT CENTER DUVER, NEW JERSEY 07801	
YP		DIMENSIONS ARE IN INCHES		DRAFTSMAN DHB	CHECKER DEW	BUTTSTOCK ASSEMBLY, STOWAGE	
TS		TOLERANCES ON DECIMALS ±		ENGR 1/16" - 1/8" ...	ENGR	SIZE D	FSCM NO. 19200
DL		FRACTIONS 1/16" ANGLES ±		ENGR	ENGR	SCALE 2/1	9349119
DA						UNIT WT.	SHEET 1 OF 1
8448578	M16A1						
8448604	M16						
9349100	M16A2						
NEXT ASSY	USED ON						
APPLICATION							