

NOTES

1. REQUIREMENTS:
DUPONT ZYTEL 80G33HSIL BK104.
2. ONLY THE ITEM DESCRIBED HEREON, WHEN PROCURED FROM THE VENDOR LISTED HEREON, IS APPROVED BY US ARMY ARDEC FOR USE IN APPLICATION SPECIFIED HEREON. A SUBSTITUTE ITEM SHALL NOT BE USED WITHOUT PRIOR APPROVAL BY US ARMY ARDEC.
3. IDENTIFICATION OF THE APPROVED SOURCE OF SUPPLY HEREON IS NOT TO BE CONSTRUED AS A GUARANTEE OF PRESENT OR CONTINUED AVAILABILITY AS A SOURCE OF SUPPLY FOR THE ITEM DESCRIBED HEREON.
4. -
5. QUALITY ASSURANCE PROVISION REQUIREMENTS PER DRAWING NUMBER 12993884 APPLY.

REVISIONS				
MODEL REV	DRAW REV	DESCRIPTION	DATE(YEAR-MO-DA)	APPROVED
N/A	F	NOR G4S2137 / 1995-01-24	1995-06-10	TPT
N/A	G	NOR L8S2015 / 1998-08-12	1998-09-01	TPT
-	H	REDRAWN WITH CHANGES NOR L10S3103 / 2010-09-10	2010-11-08	GJC

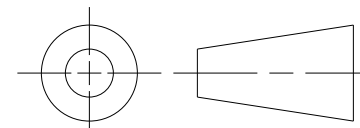
APPROVED SOURCE(S) OF SUPPLY			
PART NO.	VENDOR		VENDOR PART NO.
	ADDRESS	CAGE CODE	
9349122	DUPONT ENGINEERING POLYMERS USA OFFICE HEADQUARTERS E. I. DUPONT DE NEMOURS & CO. WILMINGTON, DE 19898 1-302-999-4592 WWW2.DUPONT.COM	-	80G33HSIL BK104

THIS DRAWING WAS GENERATED FROM A SOLID MODEL AND IS CAD MAINTAINED. CHANGES SHALL BE INCORPORATED BY THE DESIGN ACTIVITY.

DISTRIBUTION STATEMENT F.
FURTHER DISTRIBUTION ONLY AS DIRECTED BY ASQNC-AR OR HIGHER DOD AUTHORITY; 911025.

SOURCE CONTROL DRAWING

PART NO. 9349122

PMIC		M4A1	DO NOT SCALE DRAWING UNLESS OTHERWISE SPECIFIED ALL DIMENSIONS ARE IN INCHES	CONTRACT NUMBER		DESIGN ACTIVITY				
		M4			CONTRACTOR		US ARMY ARMAMENT RESEARCH, DEVELOPMENT AND ENGINEERING CENTER PICATINNY ARSENAL, NEW JERSEY 07806-5000			
MECHANICAL PROPERTIES		12999219	M16A4	TOLERANCE ON ANGLES ± ° 2 PLACE DECIMALS ± 3 PLACE DECIMALS ±		DRAWN BY	DATE (YEAR-MO-DA)	PLASTIC, COMPOUND		
YP		12012081	M16A3	THIRD ANGLE PROJECTION		R. BROWN	1982-02-26			
TS		9390014	M16A2			CHECKER	ENGINEER			
EL2		9390013	M16A1			D. COLLUM	V. ESCALONA			
RA		9390013	M16A1			ENGINEER	QUALITY ENGINEER			
BH		9349121	M16			R. BROWN	M. SEIZ			
		NEXT ASSY	USED ON			DRAWING APPROVAL		SIZE	CAGE CODE	DWG NO.
RH						J. WINDHAM	2010-09-10	B	19200	9349122
		APPLICATION		MATL ENGR	MODELED BY	DESIGN APPROVAL		SCALE	UNIT WT	SHEET
					R. BROWN	M. CROSSON	2010-09-10	1.000	N/A	1 OF 1