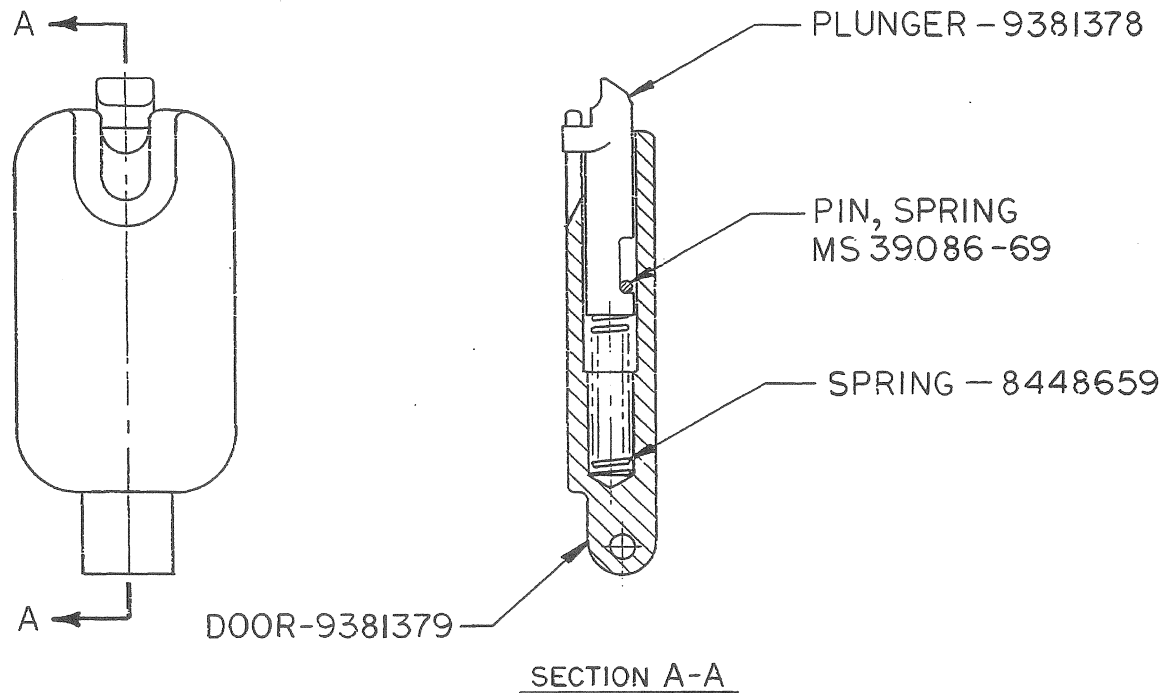


NOTES:
I-SPEC MIL-W-13855 APPLIES.

PROPRIETARY INFORMATION
THIS ENTIRE DOCUMENT AND ALL INFORMATION THEREON IS PROPRIETARY AND THE EXCLUSIVE PROPERTY OF COLT INDUSTRIES OPERATING CORP. HARTFORD, CT., U.S.A., AND SHALL NOT BE REPRODUCED, DUPLICATED OR COPIED IN WHOLE OR IN PART, DISCLOSED OR MADE AVAILABLE TO ANY OTHER PERSON, FIRM OR CORPORATION OR OTHERWISE USED WITHOUT THE PRIOR WRITTEN PERMISSION OF THE OWNER. THIS DRAWING OR PRINT MUST BE RETURNED TO THE OWNER UPON COMPLETION OF THE PURPOSE FOR WHICH SUCH PERMISSION MAY BE GRANTED.

REVISIONS			
SYM	DESCRIPTION	DATE	APPROVAL
-	PRODUCTION RELEASE ERR W3S 3149 / 83-11-14	84 02 10	
A	NOR W5S8004/860204	890215	LOPEL-BB P



SEE SEPARATE PARTS LIST -9381380

PART NO. 9381380

		MECHANICAL PROPERTIES		DO NOT SCALE DRAWING UNLESS OTHERWISE SPECIFIED DIMENSIONS ARE IN INCHES		ORIGINAL DATE OF DRAWING 84-02-02		U S ARMY ARMAMENT RESEARCH AND DEVELOPMENT CENTER DOVER, NEW JERSEY 07801	
		YP		TOLERANCES ON DECIMALS ±		DRAFTSMAN <i>JW</i>	CHECKER	DOOR ASSEMBLY, THUMB LATCH	
		TS		FRACTIONS ±	ANGLES ±	ENGR <i>RJA</i>	ENGR		
		EL2				ENGR	ENGR		
		RA				<i>Thomas J. ...</i> <i>Edward P. ...</i>		SIZE C	FSCM NO. 19200
9349119	M16, M16A1 M16A2	BH						9381380	
NEXT ASSY	USED ON	RH						SCALE 2/1	UNIT WT.
APPLICATION								SHEET	