

DRAWING SIZE D  
(ARRADOCOME 70-12) 8

7

6

5

4

3

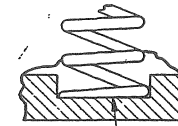
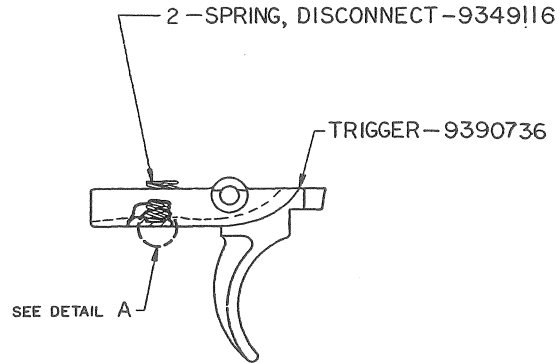
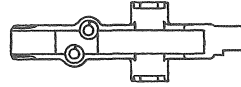
2

1

NOTICE: RESTRICTED AS TO USE AND DISCLOSURE  
THIS ENTIRE DOCUMENT AND ALL INFORMATION THEREON IS PROPRIETARY TO DALLAS INC AND SHALL NOT BE REPRODUCED, COPIED, EITHER IN WHOLE OR IN PART, DISCLOSED OR MADE AVAILABLE TO ANY OTHER PERSON, FIRM OR CORPORATION OR OTHERWISE USED EXCEPT TO THE EXTENT NECESSARY FOR AND THEN ONLY IN CONNECTION WITH THE MANUFACTURE AND/OR SUBSIDIARY OF ITEMS OR PROGRAMS RELATED TO A PROCUREMENT AWARD EFFECTED BY THE UNITED STATES GOVERNMENT OR IN CONNECTION WITH THE MANUFACTURE OF THE UNITED STATES GOVERNMENT BY UNDER A CONTRACT WITH THE UNITED STATES GOVERNMENT. THIS DOCUMENT SHALL BE SUPPLIED IN ACCORDANCE WITH INSTRUCTIONS ISSUED BY THE RESPONSIBLE CONTRACTING OFFICER UPON COMPLETION OF THE PURPOSE FOR WHICH IT WAS ISSUED.

REVISIONS			
SYM	DESCRIPTION	DATE	APPROVAL
-	PRODUCTION RELEASE ERRW450028 / 84-10-16 ECPW452099 / 84-12-20	850204	
A	NOR GOS 3143 / 900913	901108	PH
B	NOR GOS 3152 / 901002	910322	PH
C	NOR G153138 / 911001	920206	PH

- NOTES:-
- 1 - SPEC MIL-W-13855 AND ANSI Y14.5 -73 APPLY.
  - 2 FOR ASSEMBLY OF DISCONNECT SPRINGS TO TRIGGER USE OPTIONAL KEY AND SPRING INSERT TOOL DRAWING NO.(D-12011964) OR SIMILAR DEVICE.



LARGE DIAMETER OF SPRING MUST BE SEATED FULLY IN THE RECESS.  
DETAIL A  
2 PLACES  
SCALE:10/1

FOR ENGINEERING PARTS LIST SEE PL 9392518

PART NO. 9392518

MECHANICAL PROPERTIES		DO NOT SCALE DRAWING UNLESS OTHERWISE SPECIFIED		ORIGINAL DATE OF DRAWING 85-02-04		U.S. ARMY ARMAMENT RESEARCH AND DEVELOPMENT CENTER DOVER, NEW JERSEY 07801	
VP		DIMENSIONS ARE IN INCHES		DRAFTSMAN	CHECKER	TRIGGER SUBASSEMBLY	
TS		TOLERANCES ON DECIMALS ±		ENGR	ENGR		
SLE		FRACTIONS ± ANGLES ±		ENGR	ENGR		
BA							
BN							
9349115	M16A2					SIZE D	FSCM NO. 9392518
NEXT ASSY	USED ON					SCALE 2:1	SHEET 1 OF 1
APPLICATION							

October 18, 2004 11:04 AM