



Inventory Item
5.56 NATO

7C07D3

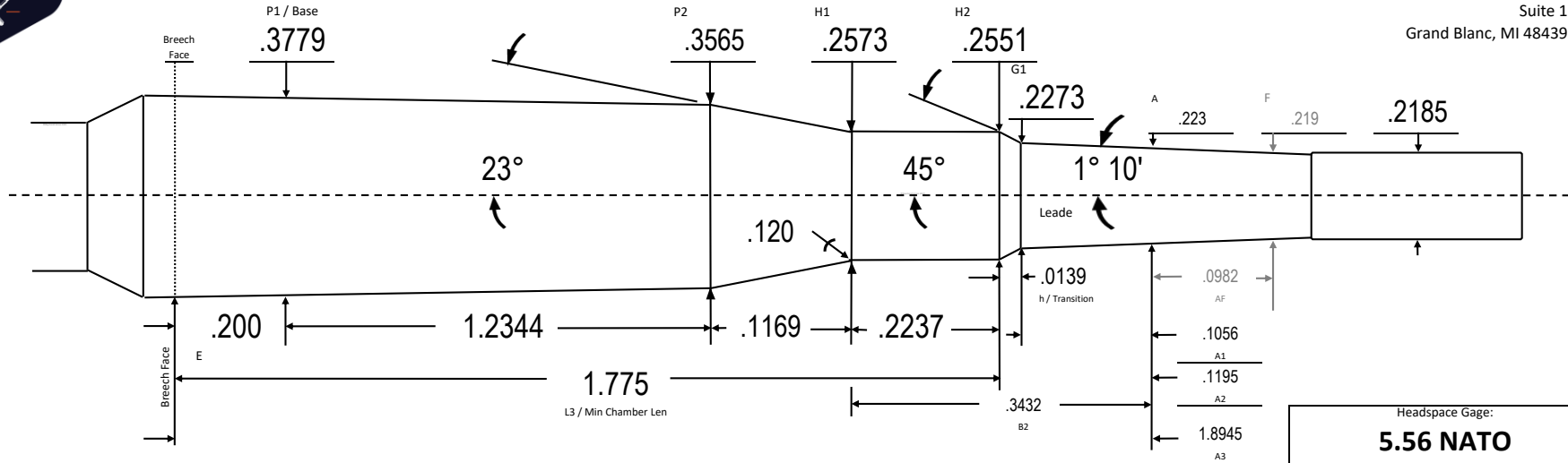
Standard

Manson Reamers

Contact us at:
support@mansonreamers.com
(810) 953-0732

8200 Embury Rd
Suite 1
Grand Blanc, MI 48439

5.56 NATO



Headspace is set .002 longer than 223 Rem.

Headspace Gage:	
5.56 NATO	
MIN Headspace	1.4656
@ Datum	.330
L1	1.4344
L2	1.5513
A3+T1	1.9927
Body TPI	.017337
Breech Face Dia	.3814
~Chamber Vol in ³	.1621
Drawn:	Ray Gross
Print Hash	7C07D3
Template TT	V8.5 2023.06.07
Dia Tolerance	+ .001 / - .000
Length Tolerance	+ .005 / - .000
Angle Tolerance	+ / - 15'
Print is not to scale	

5.56 NATO

5.56 NATO